



LED projector OP1

Light source for optical cables

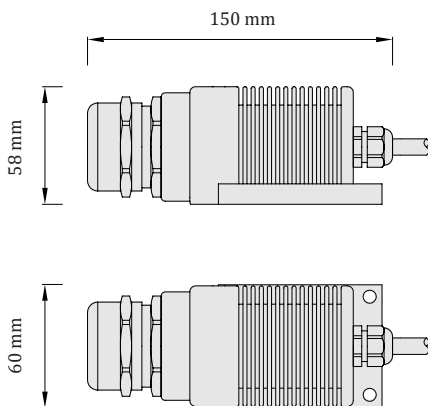
interior | SPA | Wellness

operating temperature: - 20 to 120 °C

projector temperature: 63 °C

material: aluminium

finish: black anodized



Quantity of optical cables

Cable gland D17: max. 230 optical cables

Cable gland D21: max. 550 optical cables

Cable gland D28: max. 900 optical cables

in a ratio 90% : 5% : 5% (ø 0,75 mm : ø 1 mm : ø 1,5 mm)

Light source - LED module CREE

Code

cable gland D17

● Warm white:	16W LED 3000 K	OP1-d17-WW-16W-24V
● Natural white:	16W LED 4000 K	OP1-d17-NW-16W-24V
○ Cool white:	16W LED 6000 K	OP1-d17-CW-16W-24V
● RGB:	11W LED	OP1-d17-RGB-11W-24V
● RGBW:	16W LED	OP1-d17-RGBW-16W-24V

Light source - LED module CREE

Code

cable gland D21

● Warm white:	16W LED 3000 K	OP1-d21-WW-16W-24V
● Natural white:	16W LED 4000 K	OP1-d21-NW-16W-24V
○ Cool white:	16W LED 6000 K	OP1-d21-CW-16W-24V
● RGB:	11W LED	OP1-d21-RGB-11W-24V
● RGBW:	16W LED	OP1-d21-RGBW-16W-24V

Light source - LED module CREE

Code

cable gland D28

● Warm white:	16W LED 3000 K	OP1-d28-WW-16W-24V
● Natural white:	16W LED 4000 K	OP1-d28-NW-16W-24V
○ Cool white:	16W LED 6000 K	OP1-d28-CW-16W-24V
● RGB:	11W LED	OP1-d28-RGB-11W-24V
● RGBW:	16W LED	OP1-d28-RGBW-16W-24V

LED projector can be dimmed (controllable) using external controllers. It works on the principle of low-voltage dimming. Controller and power supply are not included.