

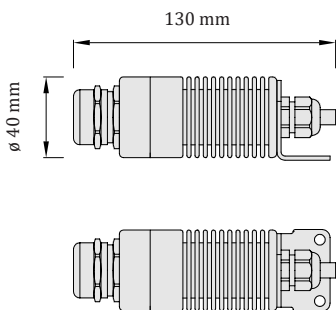


LED projector OP2

Light source for optical cables

interior | SPA | Wellness
 operating temperature: - 20 to 120 °C
 projector temperature: 50 °C
 material: aluminium
 finish: black anodized

CE UKCA IP41 12V DC



Quantity of optical cables

Cable gland D17: max. 230 optical cables
 Cable gland D21: max. 550 optical cables
 in a ratio 90% : 5% : 5% (ø 0,75 mm : ø 1 mm : ø 1,5 mm)

Light source - LED module CREE

Code

cable gland D17

● Warm white: 5W LED 3000 K	OP2-d17-WW-5W-12V
● Natural white: 5W LED 4000 K	OP2-d17-NW-5W-12V
○ Cool white: 5W LED 6000 K	OP2-d17-CW-5W-12V
● RGB: 5W LED	OP2-d17-RGB-5W-12V
● RGBW: 6W LED	OP2-d17-RGBW-6W-12V

Light source - LED module CREE

Code

cable gland D21

● Warm white: 5W LED 3000 K	OP2-d21-WW-5W-12V
● Natural white: 5W LED 4000 K	OP2-d21-NW-5W-12V
○ Cool white: 5W LED 6000 K	OP2-d21-CW-5W-12V
● RGB: 5W LED	OP2-d21-RGB-5W-12V
● RGBW: 6W LED	OP2-d21-RGBW-6W-12V

LED projector can be dimmed (controllable) using external controllers. It works on the principle of low-voltage dimming. Controller and power supply are not included.