

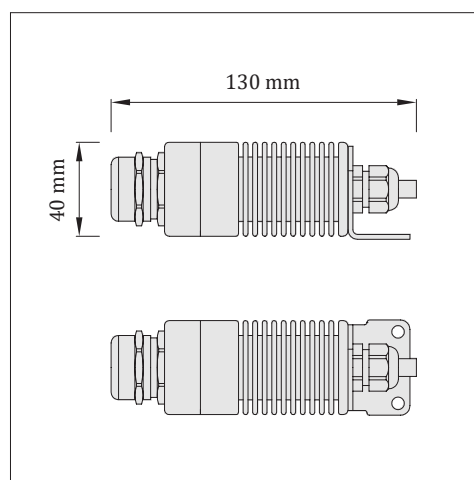
LED projector OP2

PRODUCT DATA SHEET

Category:	light source for optical cables for creating a starry sky
Environment:	interior
Product use:	Wellness and SPA, saunas, bathrooms, bedrooms, hotel apartments, restaurants, home cinemas, hallways
Protection class:	IP41
Ambient temperature:	- 20 to 60 °C
Service lifetime:	50 000 hours

We provide post-warranty service and lamps renovation.

Material:	aluminum body, brass cable gland
Finish:	body - black anodized, cable gland - nickel-plated
Cable gland:	2 sizes - D17, D21
Net weight:	0,4 kg
Projector temperature:	50 °C
	WARNING! It is necessary to choose such a location that prevents accidental contact with people, animals and easily inflammable materials.
Power cable:	yes
Input voltage:	12V DC
Power consumption:	5W (CW / WW / NW / RGB), 6W (RGBW)
Light source:	LED module brand CREE
Color temperature:	3000 K / 4000 K / 6000 K / RGB / RGBW
Dimming:	yes, using external controllers the principle of low-voltage dimming (control and power supply not included)



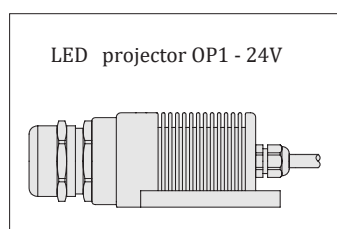
Quantity of optical cables

cable gland D17: max. 230 pcs.
cable gland D21: max. 550 pcs.

in a ratio 90% : 5% : 5%
ø 0,75 mm : ø 1 mm : ø 1,5 mm

Certificates: **CE** | UKCA

Family



LED projector OP2

Reference code	Cable gland	Max. number of fibers	Color temperature
OP2-d17-WW-5W-12V	D 17	230 pcs	3000 K (WW - warm white)
OP2-d17-NW-5W-12V	D 17	230 pcs	4000 K (NW - natural white)
OP2-d17-CW-5W-12V	D 17	230 pcs	6000 K (CW - cool white)
OP2-d17-RGB-5W-12V	D 17	230 pcs	RGB
OP2-d17-RGBW-6W-12V	D 17	230 pcs	RGBW
OP2-d21-WW-5W-12V	D 21	550 pcs	3000 K (WW - warm white)
OP2-d21-NW-5W-12V	D 21	550 pcs	4000 K (NW - natural white)
OP2-d21-CW-5W-12V	D 21	550 pcs	6000 K (CW - cool white)
OP2-d21-RGB-5W-12V	D 21	550 pcs	RGB
OP2-d21-RGBW-6W-12V	D 21	550 pcs	RGBW