

# Starry sky COMBI - area 2x1,5 m

Complete sets made of optical fibers and Swarovski crystals

**LIDES**  
LIGHT IN DESIGN

## PRODUCT DATA SHEET

Category:	decorative lighting
Environment:	indoor: Wellness, saunas, bathrooms, bedrooms, hotels, restaurants, cinemas, hallways
Product use:	suitable for installation in plasterboard ceilings or chipboards
Area:	2 x 1,5m (the fiber lengths are based on the assumption that the projector will be placed near a corner of the starry sky)
Protection class:	IP65
Ambient temperature:	- 20 to 120 °C
Service lifetime:	50 000 hours

### Optical starry sky

530 optical fibers  
LED projector 12 V  
power supply 12 V  
glue  
drill bits  
paper template 2x1,5 m (optional - possibility to adjust)



Input voltage:	<b>complete set:</b> 210 - 240V AC <b>LED projector OP2:</b> 12V DC
Power usage:	5W (CW/WW/NW/RGB), 6W (RGBW)
Light source:	LED module brand CREE
Color temp:	3000K / 4000K / 6000K / RGB / RGBW
Dimming:	yes, using external controllers the principle of low-voltage dimming control included

### Optical fibers

2,5 m length - ø 0,75 mm - 240 pcs  
2,5 m length - ø 1,00 mm - 15 pcs  
2,5 m length - ø 1,50 mm - 10 pcs  
3,5 m length - ø 0,75 mm - 240 pcs  
3,5 m length - ø 1,00 mm - 15 pcs  
3,5 m length - ø 1,50 mm - 10 pcs

### Crystal starry sky

lamps DROP 18 (Swarovski crystal) - 4 pcs  
lamps DROP 40 (Swarovski crystal) - 4 pcs  
power supply 5V  
conductors with connectors - 3m and 4m length  
distribution block  
plastic mounting holders, drill bit



Input voltage:	<b>complete set:</b> 210 - 240V AC <b>individual lamp:</b> 5V DC
Power usage:	1 lamp: 0,15 W
Light source:	LED
Color temp:	8500 - 6500 K
Dimming:	no

### Crystal lamps

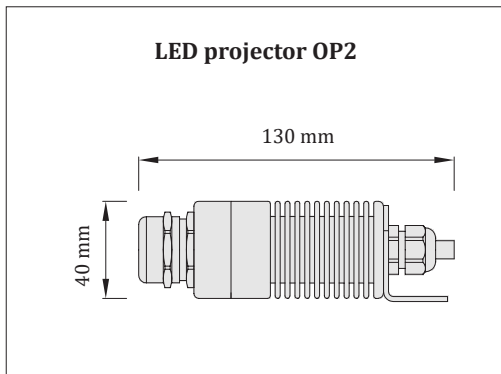
Material: stainless steel  
Finish: polished stainless / golden gloss  
Crystal: Swarovski - 2 types  
Net weight: 1 lamp: 0,02 kg  
Lamp temp: 25 °C  
Power cable: yes - conductors with connectors

# Starry sky COMBI - area 2x1,5 m

Complete sets made of optical fibers and Swarovski crystals



## Optical starry sky



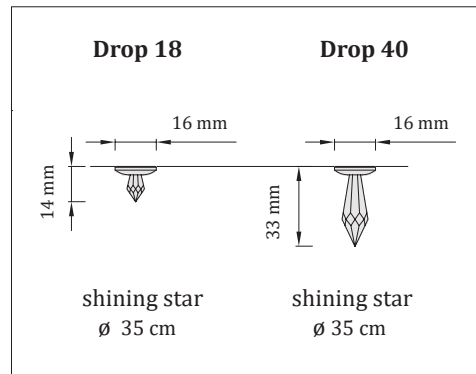
- Input voltage: 12 V DC  
Light source: LED module brand CREE
- Warm white: 5 W | 3000 K
  - Natural white: 5 W | 4000 K
  - Cool white: 5 W | 6000 K
  - RGB: 5 W
  - RGBW: 6 W

## RF remote control

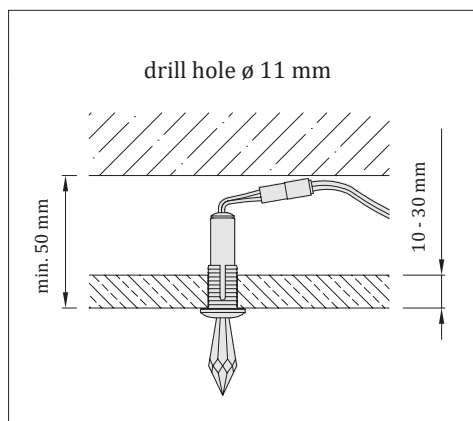
- manual 4-channel RGBW controller
- RF receiving module 1009 SAC control of crystal starry sky (on / off)
- RF receiving module 1009 FA control of optical starry sky (dimming / color modes)



## Crystal starry sky



## shining star visibility - pale surfaces



Certificates: CE | UKCA

# Starry sky COMBI - area 2x1,5 m

Complete sets made of optical fibers and Swarovski crystals



Reference code	Area	QTY of fibers	QTY of Crystals	Crystal lamp finish	LED projector - color temperature
KS2-2x1,5-CW	2 x 1,5 m	530 pcs	8 pcs	polished stainless steel	6000 K (CW - cool white)
KS2-2x1,5-NW	2 x 1,5 m	530 pcs	8 pcs	polished stainless steel	4000 K (NW - natural white)
KS2-2x1,5-WW	2 x 1,5 m	530 pcs	8 pcs	polished stainless steel	3000 K (WW - warm white)
KS2-2x1,5-RGB	2 x 1,5 m	530 pcs	8 pcs	polished stainless steel	RGB
KS2-2x1,5-RGBW	2 x 1,5 m	530 pcs	8 pcs	polished stainless steel	RGBW
KS2-2x1,5-CW-G	2 x 1,5 m	530 pcs	8 pcs	golden glossy	6000 K (CW - cool white)
KS2-2x1,5-NW-G	2 x 1,5 m	530 pcs	8 pcs	golden glossy	4000 K (NW - natural white)
KS2-2x1,5-WW-G	2 x 1,5 m	530 pcs	8 pcs	golden glossy	3000 K (WW - warm white)
KS2-2x1,5-RGB-G	2 x 1,5 m	530 pcs	8 pcs	golden glossy	RGB
KS2-2x1,5-RGBW-G	2 x 1,5 m	530 pcs	8 pcs	golden glossy	RGBW

Note: The paper template needs to be ordered separately (optional).

Reference code of paper template: PT-KS2-2x1,5