

Starry sky COMBI - area 2x1 m

Complete sets made of optical fibers and Swarovski crystals



PRODUCT DATA SHEET

Category:	decorative lighting
Environment:	indoor: Wellness, saunas, bathrooms, bedrooms, hotels, restaurants, cinemas, hallways
Product use:	suitable for installation in plasterboard ceilings or chipboards
Area:	2 x 1m (the fiber lengths are based on the assumption that the projector will be placed near a corner of the starry sky)
Protection class:	IP65
Ambient temperature:	- 20 to 120 °C
Service lifetime:	50 000 hours

Optical starry sky

430 optical fibers
LED projector 12 V
power supply 12 V
glue
drill bits
paper template 2x1 m (optional - possibility to adjust)



Input voltage:	complete set: 210 - 240V AC LED projector OP2: 12V DC
Power usage:	5W (CW/WW/NW/RGB), 6W (RGBW)
Light source:	LED module brand CREE
Color temp:	3000K / 4000K / 6000K / RGB / RGBW
Dimming:	yes, using external controllers the principle of low-voltage dimming control included

Optical fibers

2 m length - \varnothing 0,75 mm - 190 pcs
2 m length - \varnothing 1,00 mm - 15 pcs
2 m length - \varnothing 1,50 mm - 10 pcs
3 m length - \varnothing 0,75 mm - 190 pcs
3 m length - \varnothing 1,00 mm - 15 pcs
3 m length - \varnothing 1,50 mm - 10 pcs

Crystal starry sky

lamps DROP 18 (Swarovski crystal) - 3 pcs
lamps DROP 40 (Swarovski crystal) - 3 pcs
power supply 5V
conductors with connectors - 2m and 3m length
distribution block
plastic mounting holders, drill bit



Input voltage:	complete set: 210 - 240V AC individual lamp: 5V DC
Power usage:	1 lamp: 0,15 W
Light source:	LED
Color temp:	8500 - 6500 K
Dimming:	no

Crystal lamps

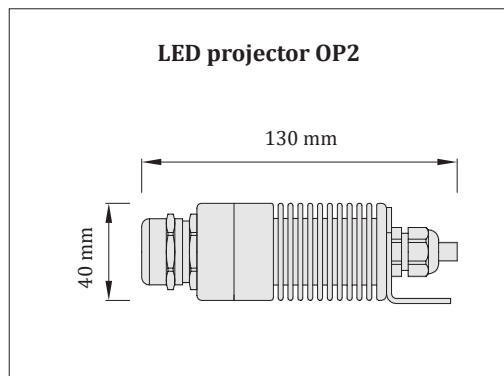
Material: stainless steel
Finish: polished stainless / golden gloss
Crystal: Swarovski - 2 types
Net weight: 1 lamp: 0,02 kg
Lamp temp: 25 °C
Power cable: yes - conductors with connectors

Starry sky COMBI - area 2x1 m

Complete sets made of optical fibers and Swarovski crystals



Optical starry sky



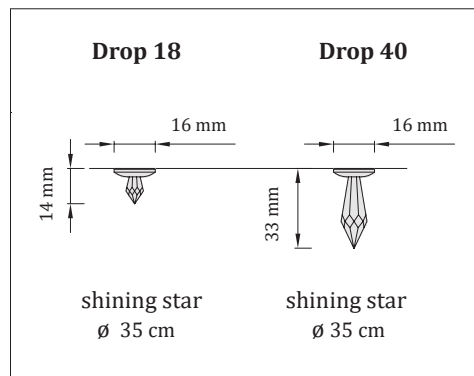
- Input voltage: 12 V DC
Light source: LED module brand CREE
- Warm white: 5 W | 3000 K
 - Natural white: 5 W | 4000 K
 - Cool white: 5 W | 6000 K
 - RGB: 5 W
 - RGBW: 6 W

RF remote control

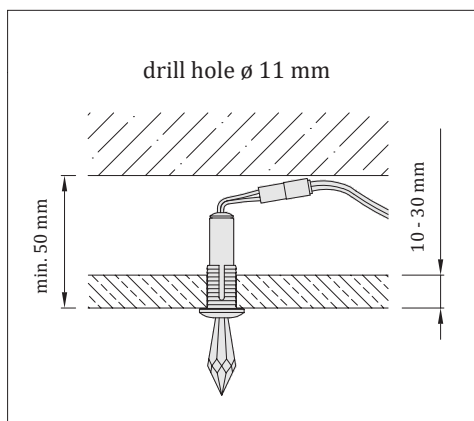
- manual 4-channel RGBW controller
- RF receiving module 1009 SAC control of crystal starry sky (on / off)
- RF receiving module 1009 FA control of optical starry sky (dimming / color modes)



Crystal starry sky



shining star visibility - pale surfaces



Certificates: CE | UKCA

Starry sky COMBI - area 2x1 m

Complete sets made of optical fibers and Swarovski crystals



Reference code	Area	QTY of fibers	QTY of Crystals	Crystal lamp finish	LED projector - color temperature
KS2-2x1-CW	2 x 1 m	430 pcs	6 pcs	polished stainless steel	6000 K (CW - cool white)
KS2-2x1-NW	2 x 1 m	430 pcs	6 pcs	polished stainless steel	4000 K (NW - natural white)
KS2-2x1-WW	2 x 1 m	430 pcs	6 pcs	polished stainless steel	3000 K (WW - warm white)
KS2-2x1-RGB	2 x 1 m	430 pcs	6 pcs	polished stainless steel	RGB
KS2-2x1-RGBW	2 x 1 m	430 pcs	6 pcs	polished stainless steel	RGBW
KS2-2x1-CW-G	2 x 1 m	430 pcs	6 pcs	golden glossy	6000 K (CW - cool white)
KS2-2x1-NW-G	2 x 1 m	430 pcs	6 pcs	golden glossy	4000 K (NW - natural white)
KS2-2x1-WW-G	2 x 1 m	430 pcs	6 pcs	golden glossy	3000 K (WW - warm white)
KS2-2x1-RGB-G	2 x 1 m	430 pcs	6 pcs	golden glossy	RGB
KS2-2x1-RGBW-G	2 x 1 m	430 pcs	6 pcs	golden glossy	RGBW

Note: The paper template needs to be ordered separately (optional).

Reference code of paper template: PT-KS2-2x1