

# Starry sky COMBI - area 3x3 m

Complete sets made of optical fibers and Swarovski crystals

**LIDES**  
LIGHT IN DESIGN

## PRODUCT DATA SHEET

Category:	decorative lighting
Environment:	indoor: Wellness, saunas, bathrooms, bedrooms, hotels, restaurants, cinemas, hallways
Product use:	suitable for installation in plasterboard ceilings or chipboards
Area:	3 x 3m (the fiber lengths are based on the assumption that the projector will be placed near a corner of the starry sky)
Protection class:	IP65
Ambient temperature:	- 20 to 120 °C
Service lifetime:	50 000 hours

### Optical starry sky

850 optical fibers  
LED projector 24 V  
power supply 24 V  
glue  
drill bits  
paper template 3x3 m (optional - possibility to adjust)



Input voltage:	<b>complete set:</b> 210 - 240V AC <b>LED projector OP1:</b> 24V DC
Power usage:	16W (CW/WW/NW/RGBW), 11W (RGB)
Light source:	LED module brand CREE
Color temp:	3000K / 4000K / 6000K / RGB / RGBW
Dimming:	yes, using external controllers the principle of low-voltage dimming control included

### Optical fibers

4 m length -  $\varnothing$  0,75 mm - 385 pcs  
4 m length -  $\varnothing$  1,00 mm - 20 pcs  
4 m length -  $\varnothing$  1,50 mm - 20 pcs  
6 m length -  $\varnothing$  0,75 mm - 385 pcs  
6 m length -  $\varnothing$  1,00 mm - 20 pcs  
6 m length -  $\varnothing$  1,50 mm - 20 pcs

### Crystal starry sky

lamps DROP 18 (Swarovski crystal) - 7 pcs  
lamps DROP 40 (Swarovski crystal) - 7 pcs  
lamps DROP 50 (Swarovski crystal) - 2 pcs  
power supply 5V  
conductors with connectors - 4m and 6m length  
distribution block  
plastic mounting holders, drill bit



Input voltage:	<b>complete set:</b> 210 - 240V AC <b>individual lamp:</b> 5V DC
Power usage:	1 lamp: 0,15 W
Light source:	LED
Color temp:	8500 - 6500 K
Dimming:	no

### Crystal lamps

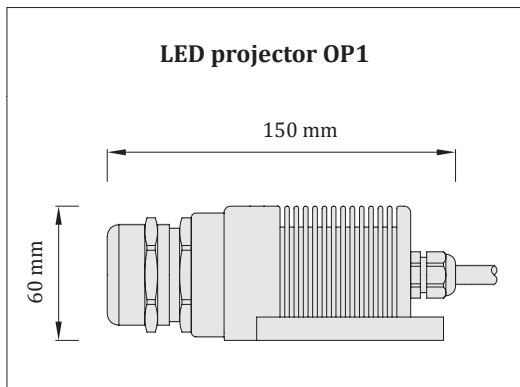
Material: stainless steel  
Finish: polished stainless / golden gloss  
Crystal: Swarovski - 3 types  
Net weight: 1 lamp: 0,02 kg  
Lamp temp: 25 °C  
Power cable: yes - conductors with connectors

# Starry sky COMBI - area 3x3 m

Complete sets made of optical fibers and Swarovski crystals



## Optical starry sky



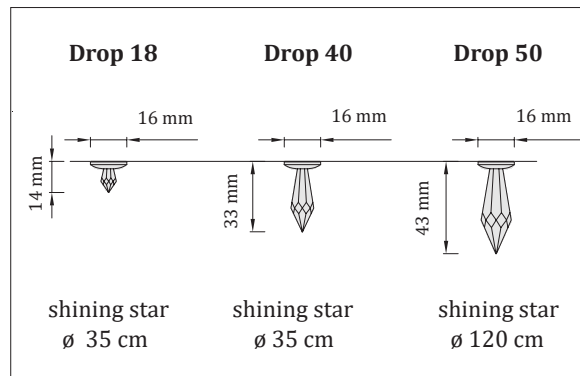
- Input voltage: 24 V DC  
Light source: LED module brand CREE
- Warm white: 16 W | 3000 K
  - Natural white: 16 W | 4000 K
  - Cool white: 16 W | 6000 K
  - RGB: 11 W
  - RGBW: 16 W

## RF remote control

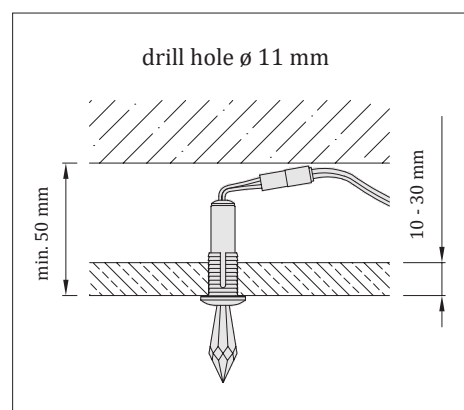
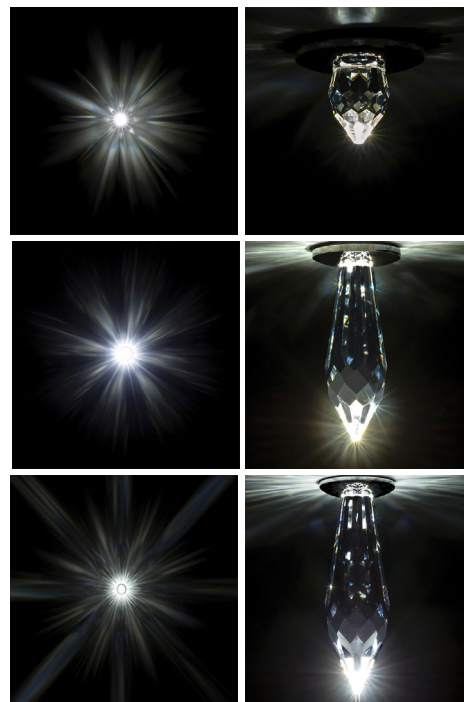
- manual 4-channel RGBW controller
- RF receiving module 1009 SAC  
control of crystal starry sky (on / off)
- RF receiving module 1009 FA  
control of optical starry sky (dimming / color modes)



## Crystal starry sky



## shining star visibility - pale surfaces



Certificates: CE | UKCA

# Starry sky COMBI - area 3x3 m

Complete sets made of optical fibers and Swarovski crystals



Reference code	Area	QTY of fibers	QTY of Crystals	Crystal lamp finish	LED projector - color temperature
KS1-3x3-CW	3 x 3 m	850 pcs	16 pcs	polished stainless steel	6000 K (CW - cool white)
KS1-3x3-NW	3 x 3 m	850 pcs	16 pcs	polished stainless steel	4000 K (NW - natural white)
KS1-3x3-WW	3 x 3 m	850 pcs	16 pcs	polished stainless steel	3000 K (WW - warm white)
KS1-3x3-RGB	3 x 3 m	850 pcs	16 pcs	polished stainless steel	RGB
KS1-3x3-RGBW	3 x 3 m	850 pcs	16 pcs	polished stainless steel	RGBW
KS1-3x3-CW-G	3 x 3 m	850 pcs	16 pcs	golden glossy	6000 K (CW - cool white)
KS1-3x3-NW-G	3 x 3 m	850 pcs	16 pcs	golden glossy	4000 K (NW - natural white)
KS1-3x3-WW-G	3 x 3 m	850 pcs	16 pcs	golden glossy	3000 K (WW - warm white)
KS1-3x3-RGB-G	3 x 3 m	850 pcs	16 pcs	golden glossy	RGB
KS1-3x3-RGBW-G	3 x 3 m	850 pcs	16 pcs	golden glossy	RGBW

Note: The paper template needs to be ordered separately (optional).

Reference code of paper template: PT-KS2-3x3