

Starry sky COMBI - area 4x3 m

Complete sets made of optical fibers and Swarovski crystals



PRODUCT DATA SHEET

Category: decorative lighting
Environment: indoor: Wellness, saunas, bathrooms, bedrooms, hotels, restaurants, cinemas, hallways
Product use: suitable for installation in plasterboard ceilings or chipboards
Area: 4 x 3m (the fiber lengths are based on the assumption that the projector will be placed near a corner of the starry sky)
Protection class: IP65
Ambient temperature: - 20 to 120 °C
Service lifetime: 50 000 hours

Optical starry sky

1100 optical fibers
2 x LED projector 12 V
power supply 12 V
glue
drill bits
paper template 4x3 m (optional - possibility to adjust)



Input voltage: **complete set:** 210 - 240V AC
LED projector OP2: 12V DC
Power usage: 10W (CW/WW/NW/RGB), 12W (RGBW)
Light source: LED module brand CREE
Color temp: 3000K / 4000K / 6000K / RGB / RGBW
Dimming: yes, using external controllers
the principle of low-voltage dimming control included

Optical fibers

3 m length - \varnothing 0,75 mm - 230 pcs 6 m length - \varnothing 0,75 mm - 230 pcs
3 m length - \varnothing 1,00 mm - 10 pcs 6 m length - \varnothing 1,00 mm - 10 pcs
3 m length - \varnothing 1,50 mm - 10 pcs 6 m length - \varnothing 1,50 mm - 10 pcs

4,5 m length - \varnothing 0,75 mm - 560 pcs
4,5 m length - \varnothing 1,00 mm - 20 pcs
4,5 m length - \varnothing 1,50 mm - 20 pcs

Crystal starry sky

lamps DROP 18 (Swarovski crystal) - 9 pcs
lamps DROP 40 (Swarovski crystal) - 9 pcs
lamps DROP 50 (Swarovski crystal) - 3 pcs
power supply 5V
conductors - 3 m, 5 m and 6 m length
distribution block
plastic mounting holders, drill bit



Input voltage: **complete set:** 210 - 240V AC
individual lamp: 5V DC
Power usage: 1 lamp: 0,15 W
Light source: LED
Color temp: 8500 - 6500 K
Dimming: no

Crystal lamps

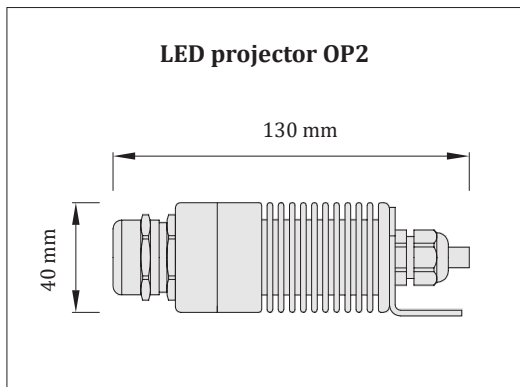
Material: stainless steel
Finish: polished stainless / golden gloss
Crystal: Swarovski - 3 types
Net weight: 1 lamp: 0,02 kg
Lamp temp: 25 °C
Power cable: yes - conductors with connectors

Starry sky COMBI - area 4x3 m

Complete sets made of optical fibers and Swarovski crystals



Optical starry sky



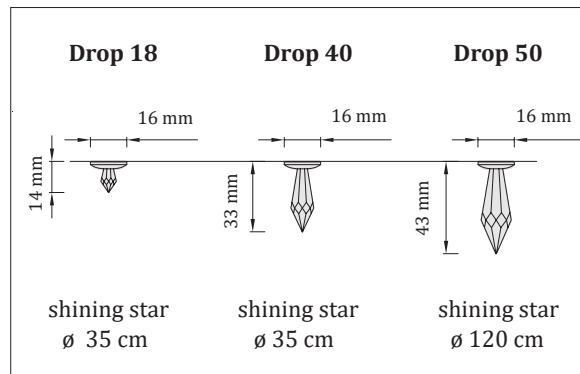
- Input voltage: 12 V DC
Light source: LED module brand CREE
- Warm white: 5 W | 3000 K
 - Natural white: 5 W | 4000 K
 - Cool white: 5 W | 6000 K
 - RGB: 5 W
 - RGBW: 6 W

RF remote control

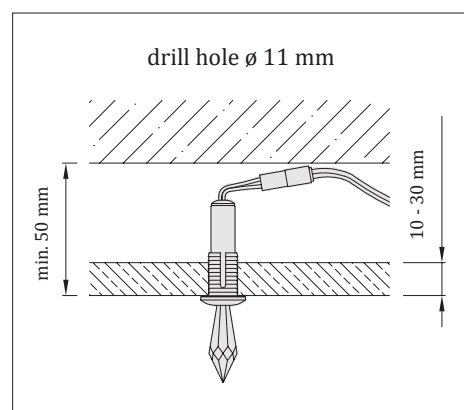
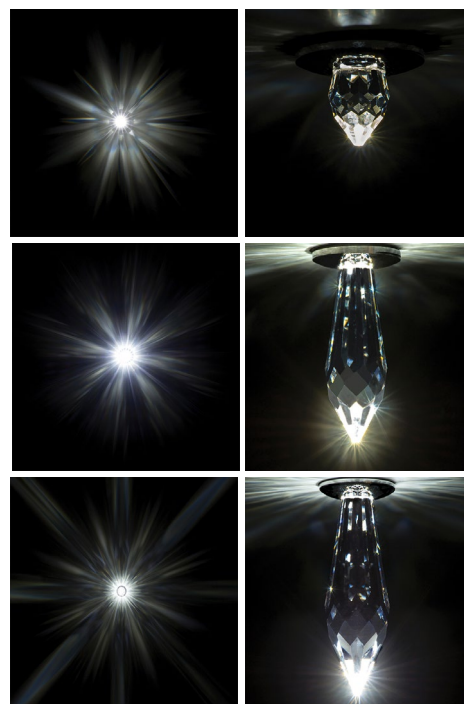
- manual 4-channel RGBW controller
- RF receiving module 1009 SAC control of crystal starry sky (on / off)
- RF receiving module 1009 FA control of optical starry sky (dimming / color modes)



Crystal starry sky



shining star visibility - pale surfaces



Certificates: CE | UKCA

Starry sky COMBI - area 4x3 m

Complete sets made of optical fibers and Swarovski crystals



Reference code	Area	QTY of fibers	QTY of Crystals	Crystal lamp finish	LED projector - color temperature
KS2-4x3-CW	4 x 3 m	1100 pcs	21 pcs	polished stainless steel	6000 K (CW - cool white)
KS2-4x3-NW	4 x 3 m	1100 pcs	21 pcs	polished stainless steel	4000 K (NW - natural white)
KS2-4x3-WW	4 x 3 m	1100 pcs	21 pcs	polished stainless steel	3000 K (WW - warm white)
KS2-4x3-RGB	4 x 3 m	1100 pcs	21 pcs	polished stainless steel	RGB
KS2-4x3-RGBW	4 x 3 m	1100 pcs	21 pcs	polished stainless steel	RGBW
KS2-4x3-CW-G	4 x 3 m	1100 pcs	21 pcs	golden glossy	6000 K (CW - cool white)
KS2-4x3-NW-G	4 x 3 m	1100 pcs	21 pcs	golden glossy	4000 K (NW - natural white)
KS2-4x3-WW-G	4 x 3 m	1100 pcs	21 pcs	golden glossy	3000 K (WW - warm white)
KS2-4x3-RGB-G	4 x 3 m	1100 pcs	21 pcs	golden glossy	RGB
KS2-4x3-RGBW-G	4 x 3 m	1100 pcs	21 pcs	golden glossy	RGBW

Note: The paper template needs to be ordered separately (optional).

Reference code of paper template: PT-KS2-4x3