

Starry sky COMBI - area 5x3 m

Complete sets made of optical fibers and Swarovski crystals

LIDES
LIGHT IN DESIGN

PRODUCT DATA SHEET

Category:	decorative lighting
Environment:	indoor: Wellness, saunas, bathrooms, bedrooms, hotels, restaurants, cinemas, hallways
Product use:	suitable for installation in plasterboard ceilings or chipboards
Area:	5 x 3m (the fiber lengths are based on the assumption that the projector will be placed near a corner of the starry sky)
Protection class:	IP65
Ambient temperature:	- 20 to 120 °C
Service lifetime:	50 000 hours

Optical starry sky

1400 optical fibers
2 x LED projector 24 V
power supply 24 V
glue
drill bits
paper template 5x3 m (optional - possibility to adjust)



Input voltage:	complete set: 210 - 240V AC LED projector OP1: 24V DC
Power usage:	32W (CW/WW/NW/RGBW), 22W (RGB)
Light source:	LED module brand CREE
Color temp:	3000K / 4000K / 6000K / RGB / RGBW
Dimming:	yes, using external controllers the principle of low-voltage dimming control included

Optical fibers

3 m length - \varnothing 0,75 mm - 200 pcs	7 m length - \varnothing 0,75 mm - 620 pcs
3 m length - \varnothing 1,00 mm - 5 pcs	7 m length - \varnothing 1,00 mm - 35 pcs
3 m length - \varnothing 1,50 mm - 5 pcs	7 m length - \varnothing 1,50 mm - 35 pcs
5 m length - \varnothing 0,75 mm - 450 pcs	
5 m length - \varnothing 1,00 mm - 25 pcs	
5 m length - \varnothing 1,50 mm - 25 pcs	

Crystal starry sky

lamps DROP 18 (Swarovski crystal) - 11 pcs
lamps DROP 40 (Swarovski crystal) - 11 pcs
lamps DROP 50 (Swarovski crystal) - 3 pcs
power supply 5V
conductors - 3 m, 5 m and 7 m length
distribution block
plastic mounting holders, drill bit



Input voltage:	complete set: 210 - 240V AC individual lamp: 5V DC
Power usage:	1 lamp: 0,15 W
Light source:	LED
Color temp:	8500 - 6500 K
Dimming:	no

Crystal lamps

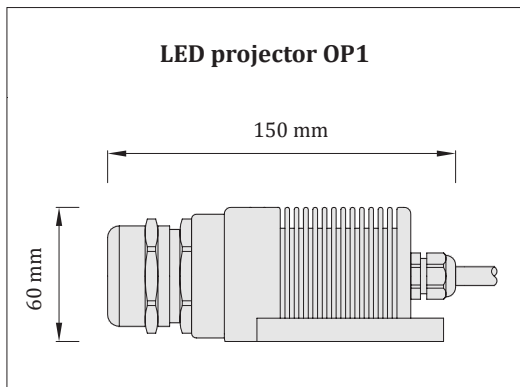
Material:	stainless steel
Finish:	polished stainless / golden gloss
Crystal:	Swarovski - 3 types
Net weight:	1 lamp: 0,02 kg
Lamp temp:	25 °C
Power cable:	yes - conductors with connectors

Starry sky COMBI - area 5x3 m

Complete sets made of optical fibers and Swarovski crystals



Optical starry sky



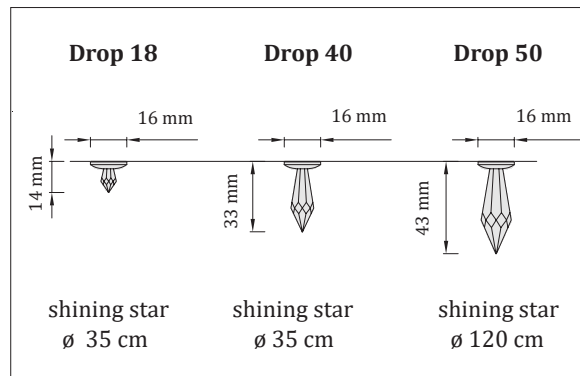
- Input voltage: 24 V DC
Light source: LED module brand CREE
- Warm white: 16 W | 3000 K
 - Natural white: 16 W | 4000 K
 - Cool white: 16 W | 6000 K
 - RGB: 11 W
 - RGBW: 16 W

RF remote control

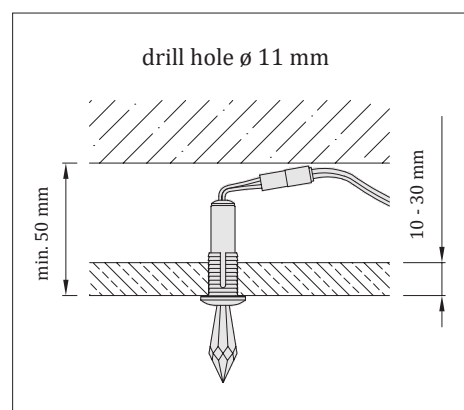
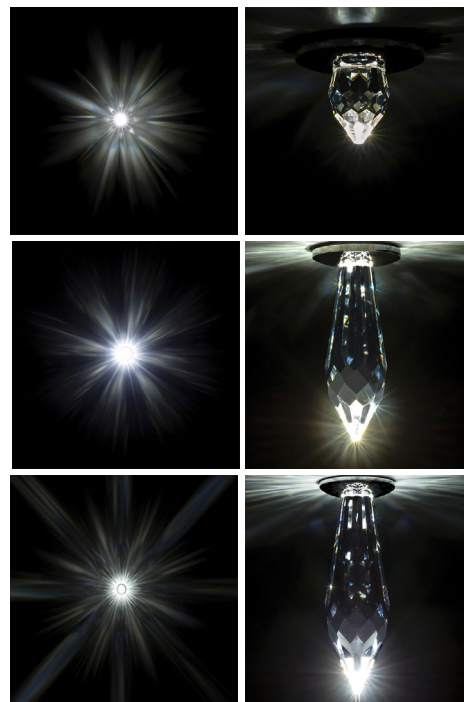
- manual 4-channel RGBW controller
- RF receiving module 1009 SAC control of crystal starry sky (on / off)
- RF receiving module 1009 FA control of optical starry sky (dimming / color modes)



Crystal starry sky



shining star visibility - pale surfaces



Certificates: CE | UKCA

Starry sky COMBI - area 5x3 m

Complete sets made of optical fibers and Swarovski crystals



Reference code	Area	QTY of fibers	QTY of Crystals	Crystal lamp finish	LED projector - color temperature
KS1-5x3-CW	5 x 3 m	1400 pcs	25 pcs	polished stainless steel	6000 K (CW - cool white)
KS1-5x3-NW	5 x 3 m	1400 pcs	25 pcs	polished stainless steel	4000 K (NW - natural white)
KS1-5x3-WW	5 x 3 m	1400 pcs	25 pcs	polished stainless steel	3000 K (WW - warm white)
KS1-5x3-RGB	5 x 3 m	1400 pcs	25 pcs	polished stainless steel	RGB
KS1-5x3-RGBW	5 x 3 m	1400 pcs	25 pcs	polished stainless steel	RGBW
KS1-5x3-CW-G	5 x 3 m	1400 pcs	25 pcs	golden glossy	6000 K (CW - cool white)
KS1-5x3-NW-G	5 x 3 m	1400 pcs	25 pcs	golden glossy	4000 K (NW - natural white)
KS1-5x3-WW-G	5 x 3 m	1400 pcs	25 pcs	golden glossy	3000 K (WW - warm white)
KS1-5x3-RGB-G	5 x 3 m	1400 pcs	25 pcs	golden glossy	RGB
KS1-5x3-RGBW-G	5 x 3 m	1400 pcs	25 pcs	golden glossy	RGBW

Note: The paper template needs to be ordered separately (optional).

Reference code of paper template: PT-KS2-5x3