



LIDES

LIGHT IN DESIGN

Chandeliers 2023





Founded in 2012, LIDES aims to furnish the market with elaborately detailed and high-quality lighting that meets demands from the most discerning customers.

The lighting is designed with an emphasis on functionality, to light up the space as needed and enable control compatible with modern technologies available on the market.

A beautiful design element in and of themselves, the lights serve as the main source of illumination while allowing for adjustable brightness to lend the space an atmospheric and relaxed ambiance.

Our assortment combines the beauty of glass and light, art and modern technology, resulting in a unique and unforgettable experience.

In addition to glass, our fixtures incorporate other high-quality materials such as metals with one-of-a-kind surface finishes and uniquely cut Swarovski® crystals.

We provide post-warranty service and renovation for all our products.

Where tradition meets innovation.

A fusion of art and functionality.

A new way of looking at light.

A unique design.

Hand-blown glass lamps

that add character to any space.





Mikado

collection of chandeliers
with Swarovski crystals

Elegant chandeliers adorned with thousands of tiny crystals that reflect and refract light in unique ways to create an impressive sparkling effect. The choice of high-quality crystals from Swarovski further enhances the luxurious feel of the collection.

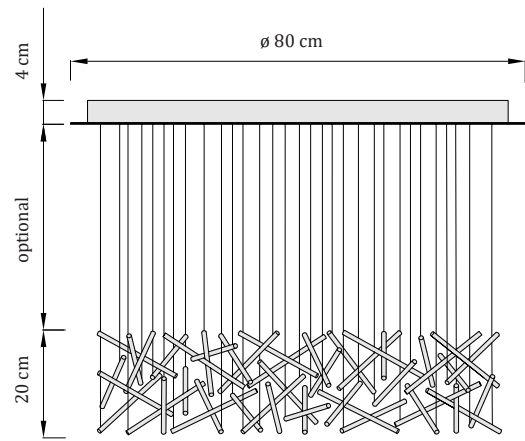
Small crystals work best with a cool white light source.







Mikado Round S

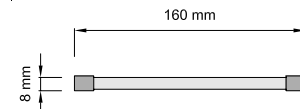


Metal base - dimensions

ground area: round
diameter 80 cm, height 4 cm

Glass tubes

filled with Swarovski crystals
stainless steel ending
quantity: 93 pcs



Mikado Round S

chandelier | interior
operating temperature: - 10 to 50 °C

Light source

10 x 6W LED brand CREE, 12V DC
power consumption: 60W
3000K | 4000K | 6000K
dimmable (control not included)
power supply included

Metal base - finish

polished stainless steel
white matt
without a base

Code

● Warm white: MIRO-S-WW-S
● Natural white: MIRO-S-NW-S
○ Cool white: MIRO-S-CW-S

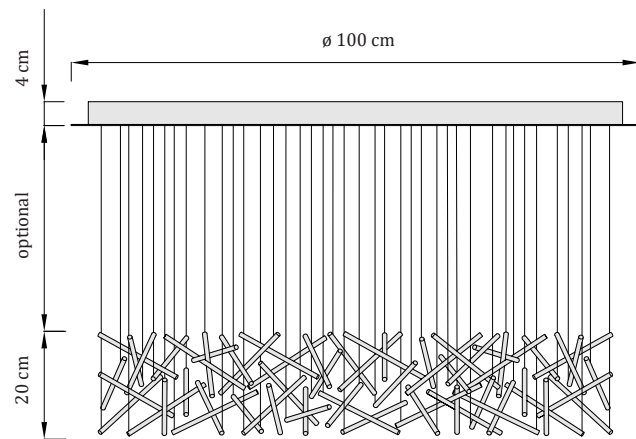
● Warm white: MIRO-S-WW-W
● Natural white: MIRO-S-NW-W
○ Cool white: MIRO-S-CW-W

● Warm white: MIRO-S-WW
● Natural white: MIRO-S-NW
○ Cool white: MIRO-S-CW

Weight: 14 kg (with a base) | 4 kg (without a base)

CE UKCA IP20 230V AC / 50-60 Hz

Mikado Round M

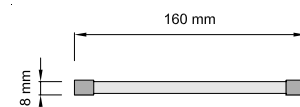


Metal base - dimensions

ground area: round
diameter 100 cm, height 4 cm

Glass tubes

filled with Swarovski crystals
stainless steel ending
quantity: 150 pcs



Mikado Round M

chandelier | interior
operating temperature: - 10 to 50 °C

Light source

12 x 6W LED brand CREE, 12V DC
power consumption: 72W
3000K | 4000K | 6000K
dimmable (control not included)
power supply included

Metal base - finish

polished stainless steel
white matt
without a base

Code

● Warm white: MIRO-M-WW-S
● Natural white: MIRO-M-NW-S
○ Cool white: MIRO-M-CW-S

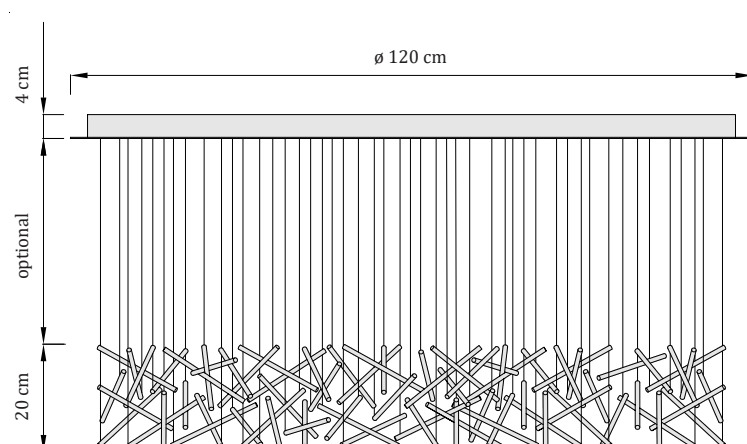
● Warm white: MIRO-M-WW-W
● Natural white: MIRO-M-NW-W
○ Cool white: MIRO-M-CW-W

● Warm white: MIRO-M-WW
● Natural white: MIRO-M-NW
○ Cool white: MIRO-M-CW

Weight: 20 kg (with a base) | 6 kg (without a base)

CE UKCA IP20 230V AC / 50-60 Hz

Mikado Round L

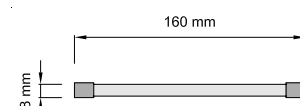


Metal base - dimensions

ground area: round
diameter 120 cm, height 4 cm

Glass tubes

filled with Swarovski crystals
stainless steel ending
quantity: 200 pcs



Mikado Round L

chandelier | interior
operating temperature: - 10 to 50 °C

Light source

13 x 6W LED brand CREE, 12V DC
power consumption: 78W
3000K | 4000K | 6000K
dimmable (control not included)
power supply included

Metal base - finish

polished stainless steel
white matt
without a base

Code

● Warm white: MIRO-L-WW-S
● Natural white: MIRO-L-NW-S
○ Cool white: MIRO-L-CW-S

● Warm white: MIRO-L-WW-W
● Natural white: MIRO-L-NW-W
○ Cool white: MIRO-L-CW-W

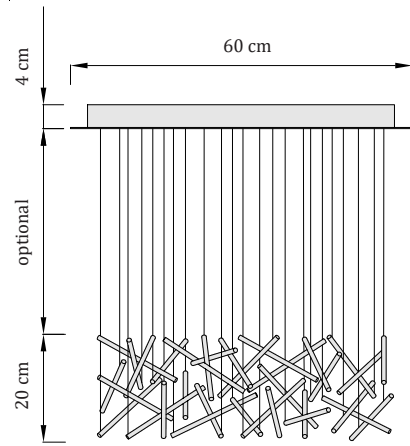
● Warm white: MIRO-L-WW
● Natural white: MIRO-L-NW
○ Cool white: MIRO-L-CW

Weight: 26 kg (with a base) | 7 kg (without a base)

CE UKCA IP20 230V AC / 50-60 Hz

Note: Chandeliers without a metal base are suitable for plasterboard ceilings. Stainless steel cables protrude directly from the ceiling from small grippers. Cannot be installed in the existing plasterboard ceiling, because it is needed to glue the counter piece to the ceiling grip from the opposite side of the plasterboard.

Mikado Square S

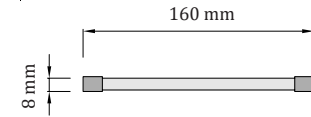


Metal base - dimensions

ground area: square
60 x 60 x 4 cm (length x width x height)

Glass tubes

filled with Swarovski crystals
stainless steel ending
quantity: 70 pcs



Mikado Square S

chandelier | interior
operating temperature: - 10 to 50 °C

Light source

5 x 6W LED brand CREE, 12V DC
power consumption: 30W
3000K | 4000K | 6000K
dimnable (control not included)
power supply included

Metal base - finish

polished stainless steel
white matt
without a base

Code

stainless steel
● Warm white: MISQ-S-WW-S
● Natural white: MISQ-S-NW-S
○ Cool white: MISQ-S-CW-S

white matt

● Warm white: MISQ-S-WW-W
● Natural white: MISQ-S-NW-W
○ Cool white: MISQ-S-CW-W

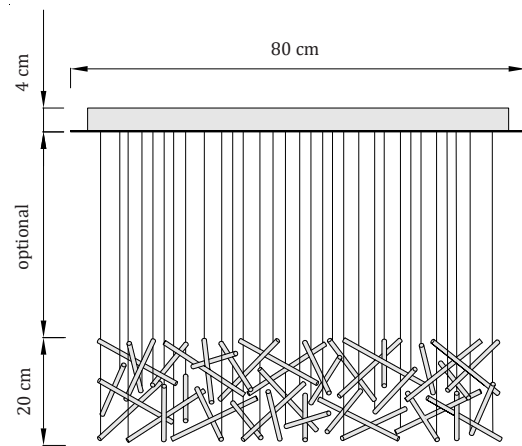
without a base

● Warm white: MISQ-S-WW
● Natural white: MISQ-S-NW
○ Cool white: MISQ-S-CW

Weight: 10 kg (with a base) | 3 kg (without a base)

CE UKCA IP20 230V AC / 50-60 Hz

Mikado Square M

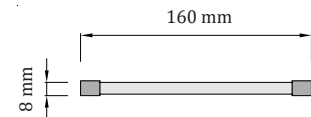


Metal base - dimensions

ground area: square
80 x 80 x 4 cm (length x width x height)

Glass tubes

filled with Swarovski crystals
stainless steel ending
quantity: 125 pcs



Mikado Square M

chandelier | interior
operating temperature: - 10 to 50 °C

Light source

9 x 6W LED zn. CREE, 12V DC
power consumption: 54W
3000K | 4000K | 6000K
dimnable (control not included)
power supply included

Metal base - finish

polished stainless steel
white matt
without a base

Code

stainless steel
● Warm white: MISQ-M-WW-S
● Natural white: MISQ-M-NW-S
○ Cool white: MISQ-M-CW-S

white matt

● Warm white: MISQ-M-WW-W
● Natural white: MISQ-M-NW-W
○ Cool white: MISQ-M-CW-W

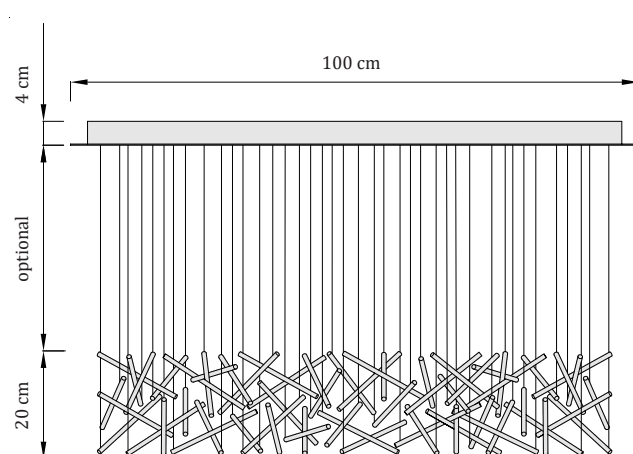
without a base

● Warm white: MISQ-M-WW
● Natural white: MISQ-M-NW
○ Cool white: MISQ-M-CW

Weight: 17 kg (with a base) | 5 kg (without a base)

CE UKCA IP20 230V AC / 50-60 Hz

Mikado Square L

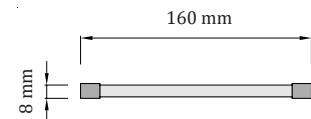


Metal base - dimensions

ground area: square
100 x 100 x 4 cm (length x width x height)

Glass tubes

filled with Swarovski crystals
stainless steel ending
quantity: 190 pcs



Mikado Square L

chandelier | interior
operating temperature: - 10 to 50 °C

Light source

13 x 6W LED brand CREE, 12V DC
power consumption: 78W
3000K | 4000K | 6000K
dimnable (control not included)
power supply included

Metal base - finish

polished stainless steel
white matt
without a base

Code

stainless steel
● Warm white: MISQ-L-WW-S
● Natural white: MISQ-L-NW-S
○ Cool white: MISQ-L-CW-S

white matt

● Warm white: MISQ-L-WW-W
● Natural white: MISQ-L-NW-W
○ Cool white: MISQ-L-CW-W

without a base

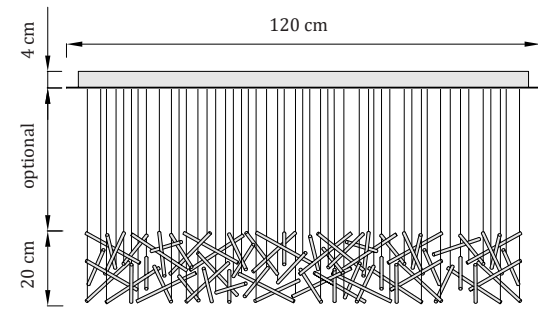
● Warm white: MISQ-L-WW
● Natural white: MISQ-L-NW
○ Cool white: MISQ-L-CW

Weight: 24 kg (with a base) | 7 kg (without a base)

CE UKCA IP20 230V AC / 50-60 Hz

Note: Chandeliers without a metal base are suitable for plasterboard ceilings. Stainless steel cables protrude directly from the ceiling from small grips. Cannot be installed in the existing plasterboard ceiling, because it is needed to glue the counter piece to the ceiling grip from the opposite side of the plasterboard.

Mikado Rectangle S

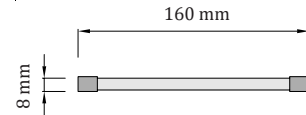


Metal base - dimensions

ground area: rectangle
120 x 40 x 4 cm
(length x width x height)

Glass tubes

filled with Swarovski crystals
stainless steel ending
quantity: 90 pcs



Mikado Rectangle S

chandelier | interior
operating temperature: - 10 to 50 °C

Light source

10 x 6W LED brand CREE, 12V DC
power consumption: 60W
3000K | 4000K | 6000K
dimnable (control not included)
power supply included

Metal base - finish

polished stainless steel
white matt
without a base

Code

● Warm white: MIRE-S-WW-S
● Natural white: MIRE-S-NW-S
○ Cool white: MIRE-S-CW-S

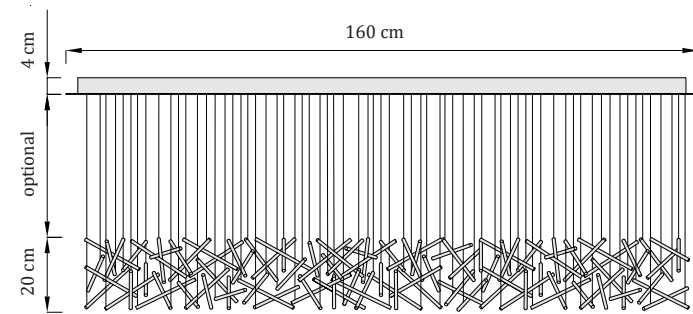
● Warm white: MIRE-S-WW-W
● Natural white: MIRE-S-NW-W
○ Cool white: MIRE-S-CW-W

● Warm white: MIRE-S-WW
● Natural white: MIRE-S-NW
○ Cool white: MIRE-S-CW

Weight: 13 kg (with a base) | 4 kg (without a base)

CE UKCA IP20 230V AC / 50-60 Hz

Mikado Rectangle M

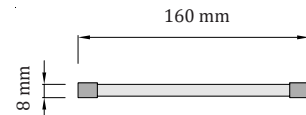


Metal base - dimensions

ground area: rectangle
160 x 60 x 4 cm
(length x width x height)

Glass tubes

filled with Swarovski crystals
stainless steel ending
quantity: 170 pcs



Mikado Rectangle M

chandelier | interior
operating temperature: - 10 to 50 °C

Light source

10 x 6W LED brand CREE, 12V DC
power consumption: 60W
3000K | 4000K | 6000K
dimnable (control not included)
power supply included

Metal base - finish

polished stainless steel
white matt
without a base

Code

● Warm white: MIRE-M-WW-S
● Natural white: MIRE-M-NW-S
○ Cool white: MIRE-M-CW-S

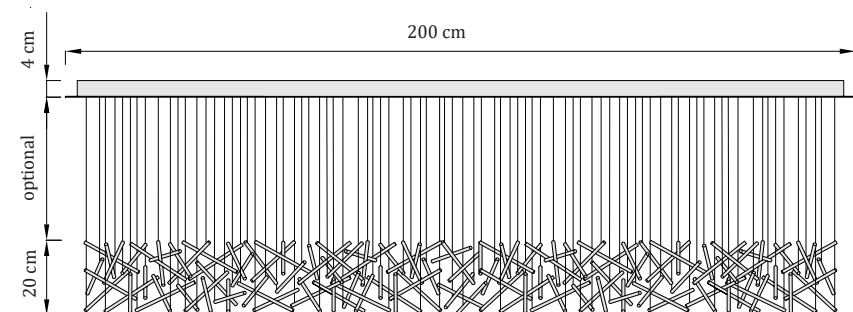
● Warm white: MIRE-M-WW-W
● Natural white: MIRE-M-NW-W
○ Cool white: MIRE-M-CW-W

● Warm white: MIRE-M-WW
● Natural white: MIRE-M-NW
○ Cool white: MIRE-M-CW

Weight: 24 kg (with a base) | 6 kg (without a base)

CE UKCA IP20 230V AC / 50-60 Hz

Mikado Rectangle L

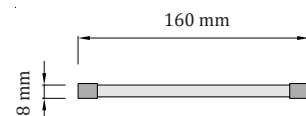


Metal base - dimensions

ground area: rectangle
200 x 120 x 4 cm
(length x width x height)

Glass tubes

filled with Swarovski crystals
stainless steel ending
quantity: 430 pcs



Mikado Rectangle L

chandelier | interior
operating temperature: - 10 to 50 °C

Light source

15 x 6W LED brand CREE, 12V DC
power consumption: 90W
3000K | 4000K | 6000K
dimnable (control not included)
power supply included

Metal base - finish

polished stainless steel
white matt
without a base

Code

● Warm white: MIRE-L-WW-S
● Natural white: MIRE-L-NW-S
○ Cool white: MIRE-L-CW-S

● Warm white: MIRE-L-WW-W
● Natural white: MIRE-L-NW-W
○ Cool white: MIRE-L-CW-W

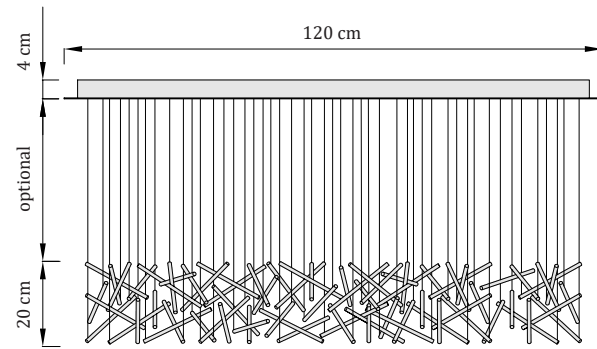
● Warm white: MIRE-L-WW
● Natural white: MIRE-L-NW
○ Cool white: MIRE-L-CW

Weight: 56 kg (with a base) | 13 kg (without a base)

CE UKCA IP20 230V AC / 50-60 Hz

Note: Chandeliers without a metal base are suitable for plasterboard ceilings. Stainless steel cables protrude directly from the ceiling from small grips. Cannot be installed in the existing plasterboard ceiling, because it is needed to glue the counter piece to the ceiling grip from the opposite side of the plasterboard.

Mikado Elipse S

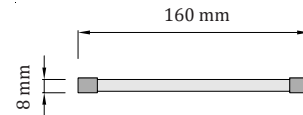


Metal base - dimensions

ground area: ellipse
120 x 60 x 4 cm
(length x width x height)

Glass tubes

filled with Swarovski crystals
stainless steel ending
quantity: 110 pcs



Mikado Elipse S

chandelier | interior
operating temperature: - 10 to 50 °C

Light source

8 x 6W LED brand CREE, 12V DC
power consumption: 48W
3000K | 4000K | 6000K
dimnable (control not included)
power supply included

Metal base - finish

polished stainless steel
white matt
without a base

Code

● Warm white: MIEL-S-WW-S
● Natural white: MIEL-S-NW-S
○ Cool white: MIEL-S-CW-S

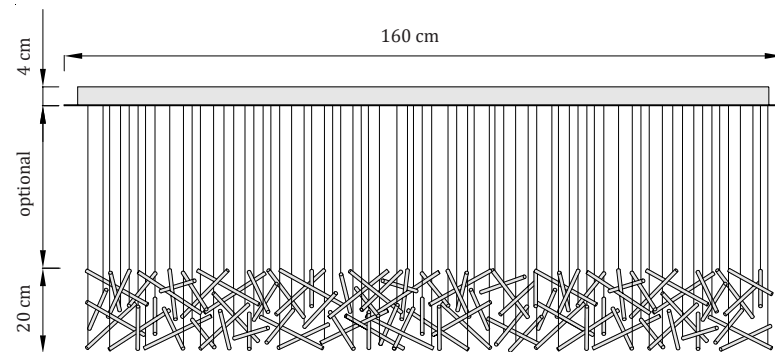
● Warm white: MIEL-S-WW-W
● Natural white: MIEL-S-NW-W
○ Cool white: MIEL-S-CW-W

● Warm white: MIEL-S-WW
● Natural white: MIEL-S-NW
○ Cool white: MIEL-S-CW

Weight: 15 kg (with a base) | 4 kg (without a base)

CE UKCA IP20 230V AC / 50-60 Hz

Mikado Elipse M

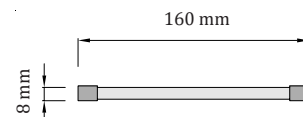


Metal base - dimensions

ground area: ellipse
160 x 70 x 4 cm
(length x width x height)

Glass tubes

filled with Swarovski crystals
stainless steel ending
quantity: 160 pcs



Mikado Elipse M

chandelier | interior
operating temperature: - 10 to 50 °C

Light source

13 x 6W LED brand CREE, 12V DC
power consumption: 78W
3000K | 4000K | 6000K
dimnable (control not included)
power supply included

Metal base - finish

polished stainless steel
white matt
without a base

Code

● Warm white: MIEL-M-WW-S
● Natural white: MIEL-M-NW-S
○ Cool white: MIEL-M-CW-S

● Warm white: MIEL-M-WW-W
● Natural white: MIEL-M-NW-W
○ Cool white: MIEL-M-CW-W

● Warm white: MIEL-M-WW
● Natural white: MIEL-M-NW
○ Cool white: MIEL-M-CW

Weight: 21 kg (with a base) | 6 kg (without a base)

CE UKCA IP20 230V AC / 50-60 Hz

Note: Chandeliers without a metal base are suitable for plasterboard ceilings. Stainless steel cables protrude directly from the ceiling from small grips. Cannot be installed in the existing plasterboard ceiling, because it is needed to glue the counter piece to the ceiling grip from the opposite side of the plasterboard.

Aquabelle Elipse



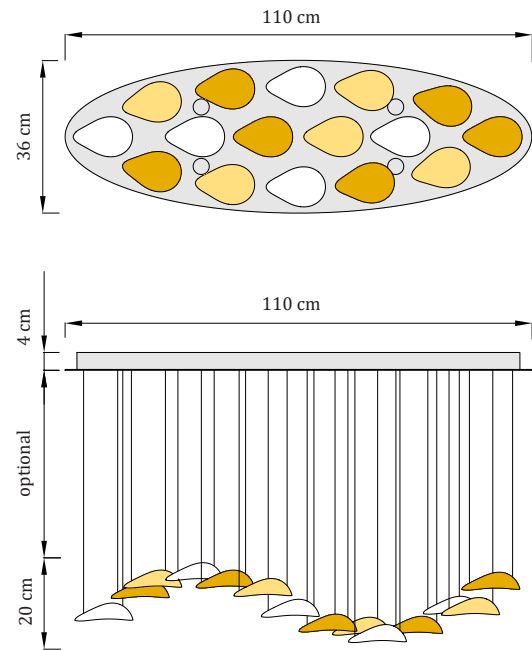
The Aquabelle collection of chandeliers is crafted from hand-blown glass and consists of components in a synchronized mid-air flow, resembling a school of fish swimming in the sea.

Air bubbles are trapped in the glass components, beautifully refracting and reflecting light into space. The combination of light and warm honey shades makes the chandelier bathe the space with a radiant glow.





Aquabelle Elipse S

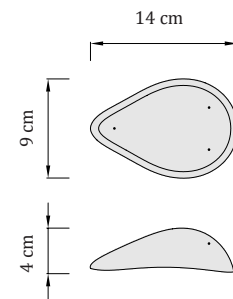


Metal base - dimensions

ground area: ellipse
110 x 36 x 4 cm (length x width x height)

Glass components

hand-blown glass
air bubbles in the glass
amber | champagne | crystal
quantity: 16 pcs



Aquabelle Elipse S

amber | champagne | crystal

chandelier | interior
operating temperature: - 10 to 50 °C

Light source

8 x 6W LED brand CREE, 12V DC
power consumption: 48W
3000K | 4000K | 6000K
dimmable (control not included)
power supply included

Metal base - finish

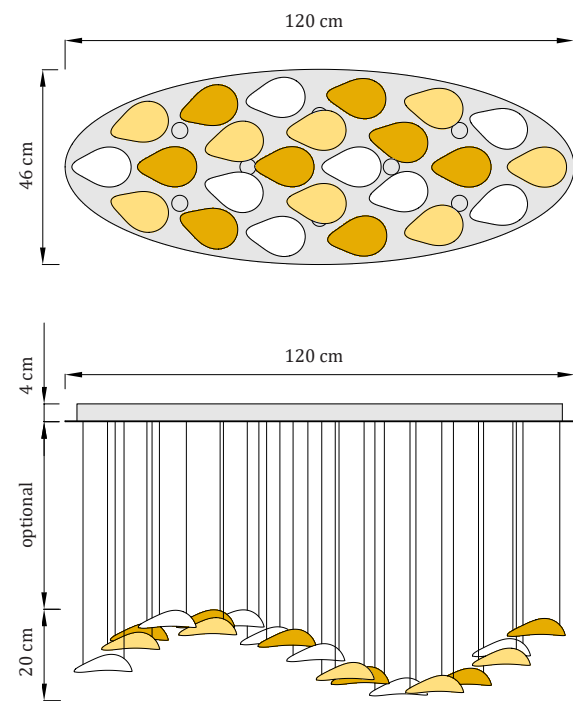
polished stainless steel
white matt
without a base

weight: 15 kg (with a base) | 9 kg (without a base)

	Code
stainless steel	● Warm white: AQEL-AM-S-WW-S
	● Natural white: AQEL-AM-S-NW-S
	○ Cool white: AQEL-AM-S-CW-S
white matt	● Warm white: AQEL-AM-S-WW-W
	● Natural white: AQEL-AM-S-NW-W
	○ Cool white: AQEL-AM-S-CW-W
without a base	● Warm white: AQEL-AM-S-WW
	● Natural white: AQEL-AM-S-NW
	○ Cool white: AQEL-AM-S-CW

CE UKCA IP20 230V AC / 50-60 Hz

Aquabelle Elipse M

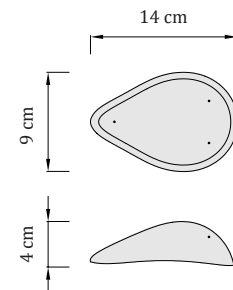


Metal base - dimensions

ground area: ellipse
120 x 46 x 4 cm (length x width x height)

Glass components

hand-blown glass
air bubbles in the glass
amber | champagne | crystal
quantity: 24 pcs



Aquabelle Elipse M

amber | champagne | crystal

chandelier | interior
operating temperature: - 10 to 50 °C

Light source

10 x 6W LED brand CREE, 12V DC
power consumption: 60W
3000K | 4000K | 6000K
dimmable (control not included)
power supply included

Metal base - finish

polished stainless steel
white matt
without a base

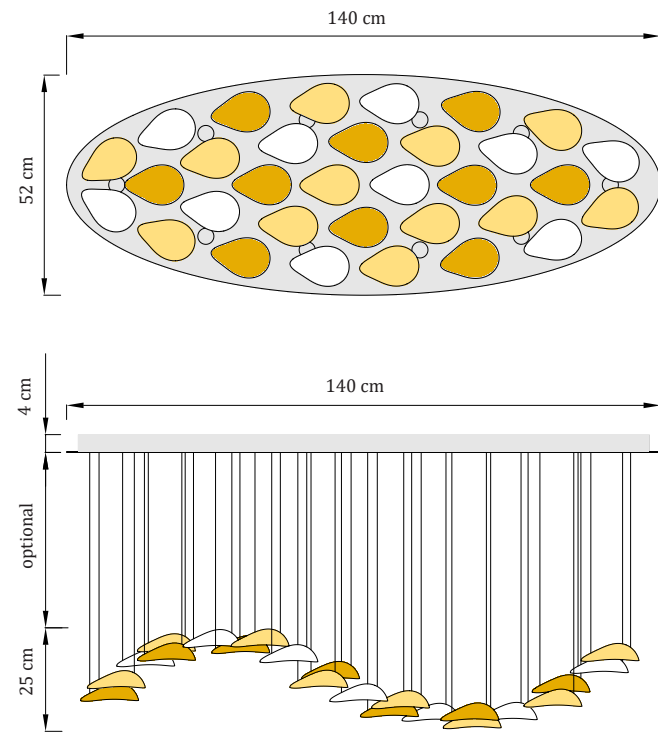
Weight: 22 kg (with a base) | 14 kg (without a base)

	Code
stainless steel	● Warm white: AQEL-AM-M-WW-S
	● Natural white: AQEL-AM-M-NW-S
	○ Cool white: AQEL-AM-M-CW-S
white matt	● Warm white: AQEL-AM-M-WW-W
	● Natural white: AQEL-AM-M-NW-W
	○ Cool white: AQEL-AM-M-CW-W
without a base	● Warm white: AQEL-AM-M-WW
	● Natural white: AQEL-AM-M-NW
	○ Cool white: AQEL-AM-M-CW

CE UKCA IP20 230V AC / 50-60 Hz

Note: Chandeliers without a metal base are suitable for plasterboard ceilings. Stainless steel cables protrude directly from the ceiling from small grips. Cannot be installed in the existing plasterboard ceiling, because it is needed to glue the counter piece to the ceiling grip from the opposite side of the plasterboard.

Aquabelle Elipse L

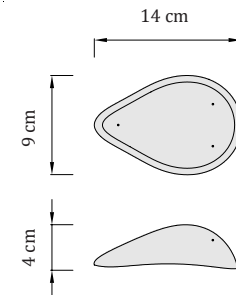


Metal base - dimensions

ground area: ellipse
140 x 52 x 4 cm
(length x width x height)

Glass components

hand-blown glass
air bubbles in the glass
amber | champagne | crystal
quantity: 32 pcs



Aquabelle Elipse L

amber | champagne | crystal

chandelier | interior
operating temperature: - 10 to 50 °C

Light source

10 x 6W LED brand CREE, 12V DC
power consumption: 60W
3000K | 4000K | 6000K
dimnable (control not included)
power supply included

Metal base - finish

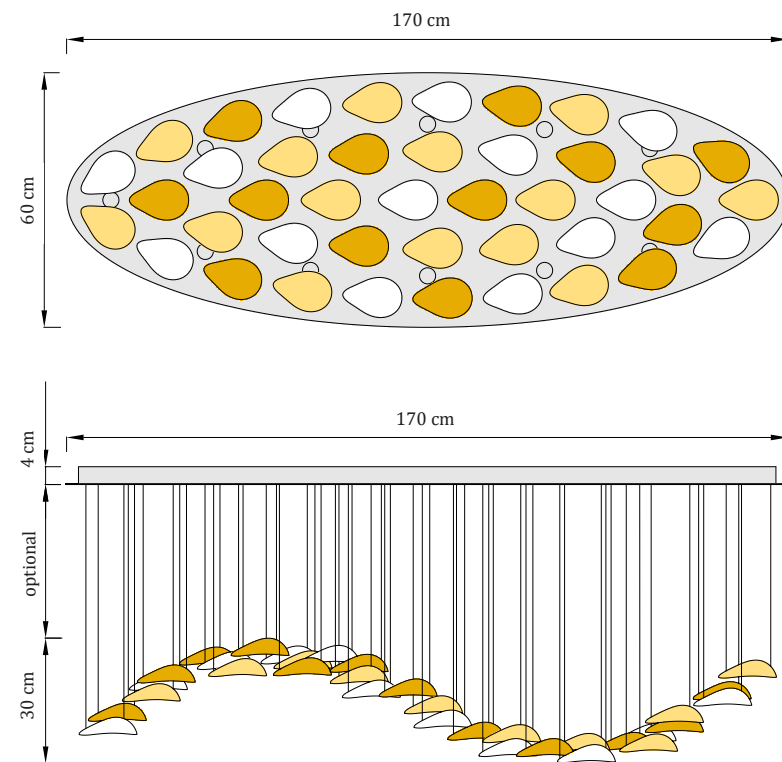
polished stainless steel
white matt
without a base

Weight: 28 kg (with a base) | 18 kg (without a base)

	Code
stainless steel	● Warm white: AQEL-AM-L-WW-S
	● Natural white: AQEL-AM-L-NW-S
	○ Cool white: AQEL-AM-L-CW-S
white matt	● Warm white: AQEL-AM-L-WW-W
	● Natural white: AQEL-AM-L-NW-W
	○ Cool white: AQEL-AM-L-CW-W
without a base	● Warm white: AQEL-AM-L-WW
	● Natural white: AQEL-AM-L-NW
	○ Cool white: AQEL-AM-L-CW

CE UKCA IP20 230V AC / 50-60 Hz

Aquabelle Elipse XL

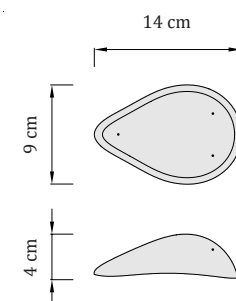


Metal base - dimensions

ground area: ellipse
170 x 60 x 4 cm
(length x width x height)

Glass components

hand-blown glass
air bubbles in the glass
amber | champagne | crystal
quantity: 42 pcs



Aquabelle Elipse XL

amber | champagne | crystal

chandelier | interior
operating temperature: - 10 to 50 °C

Light source

12 x 6W LED brand CREE, 12V DC
power consumption: 72W
3000K | 4000K | 6000K
dimnable (control not included)
power supply included

Metal base - finish

polished stainless steel
white matt
without a base

Weight: 37 kg (with a base) | 23 kg (without a base)

	Code
stainless steel	● Warm white: AQEL-AM-XL-WW-S
	● Natural white: AQEL-AM-XL-NW-S
	○ Cool white: AQEL-AM-XL-CW-S
white matt	● Warm white: AQEL-AM-XL-WW-W
	● Natural white: AQEL-AM-XL-NW-W
	○ Cool white: AQEL-AM-XL-CW-W
without a base	● Warm white: AQEL-AM-XL-WW
	● Natural white: AQEL-AM-XL-NW
	○ Cool white: AQEL-AM-XL-CW

CE UKCA IP20 230V AC / 50-60 Hz

Note: Chandeliers without a metal base are suitable for plasterboard ceilings. Stainless steel cables protrude directly from the ceiling from small grips. Cannot be installed in the existing plasterboard ceiling, because it is needed to glue the counter piece to the ceiling grip from the opposite side of the plasterboard.



Bubble

collection of hand-blown glass chandeliers

The Bubble collection is suitable for modern as well as lavish interiors.

The glass bubbles are attached to thin wires, which give the impression of their floating in the air.

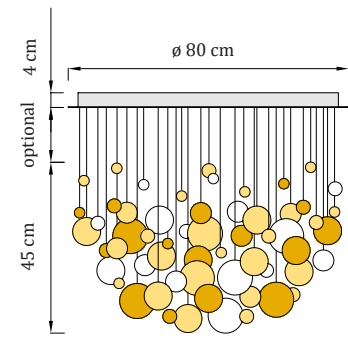
A special glassmaking technique was used to create fine cracks on the surface. These dents, in combination with the light, let the beauty of the glass stand out even more.

When lit up, the chandelier seems to come alive and resemble the shining sun.





Bubble Round S



Metal base - dimensions

ground area: round
diameter 80 cm, height 4 cm

Glass bubbles

hand-blown glass
crack decor
ø 8, 6, 4, 3 cm
amber | champagne | crystal
quantity: 125 pcs

Bubble Round S

amber | champagne | crystal

chandelier | interior
operating temperature: - 10 to 50 °C

Light source

10 x 6W LED brand CREE, 12V DC
power consumption: 60W
3000K | 4000K | 6000K
dimmable (control not included)
power supply included

Metal base - finish

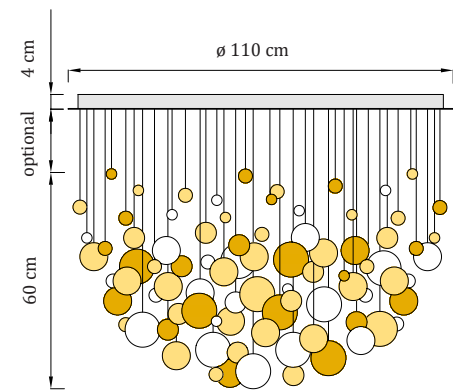
polished stainless steel
white matt
without a base

Weight: 23 kg (with a base) | 13 kg (without a base)

	Code
stainless steel	● Warm white: BURO-AMH-S-WW-S
	● Natural white: BURO-AMH-S-NW-S
	○ Cool white: BURO-AMH-S-CW-S
white matt	● Warm white: BURO-AMH-S-WW-W
	● Natural white: BURO-AMH-S-NW-W
	○ Cool white: BURO-AMH-S-CW-W
without a base	● Warm white: BURO-AMH-S-WW
	● Natural white: BURO-AMH-S-NW
	○ Cool white: BURO-AMH-S-CW

CE UKCA IP20 230V AC / 50-60 Hz

Bubble Round M



Metal base - dimensions

ground area: round
diameter 110 cm, height 4 cm

Glass bubbles

hand-blown glass
crack decor
ø 10, 8, 6, 4, 3 cm
amber | champagne | crystal
quantity: 150 pcs

Bubble Round M

amber | champagne | crystal

chandelier | interior
operating temperature: - 10 to 50 °C

Light source

12 x 6W LED brand CREE, 12V DC
power consumption: 72W
3000K | 4000K | 6000K
dimmable (control not included)
power supply included

Metal base - finish

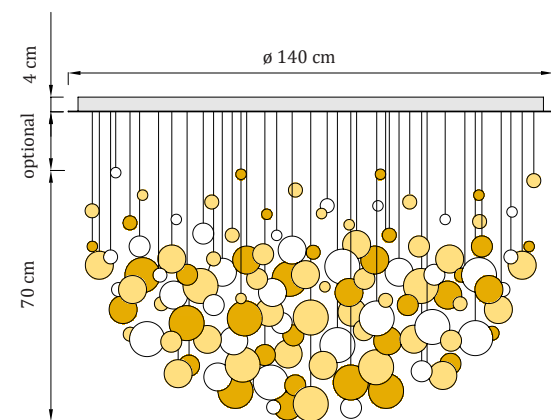
polished stainless steel
white matt
without a base

Weight: 37 kg (with a base) | 20 kg (without a base)

	Code
stainless steel	● Warm white: BURO-AMH-M-WW-S
	● Natural white: BURO-AMH-M-NW-S
	○ Cool white: BURO-AMH-M-CW-S
white matt	● Warm white: BURO-AMH-M-WW-W
	● Natural white: BURO-AMH-M-NW-W
	○ Cool white: BURO-AMH-M-CW-W
without a base	● Warm white: BURO-AMH-M-WW
	● Natural white: BURO-AMH-M-NW
	○ Cool white: BURO-AMH-M-CW

CE UKCA IP20 230V AC / 50-60 Hz

Bubble Round L



Metal base - dimensions

ground area: round
diameter 140 cm, height 4 cm

Glass bubbles

hand-blown glass
crack decor
ø 10, 8, 6, 4, 3 cm
amber | champagne | crystal
quantity: 295 pcs

Bubble Round L

amber | champagne | crystal

chandelier | interior
operating temperature: - 10 to 50 °C

Light source

20 x 6W LED brand CREE, 12V DC
power consumption: 120W
3000K | 4000K | 6000K
dimmable (control not included)
power supply included

Metal base - finish

polished stainless steel
white matt
without a base

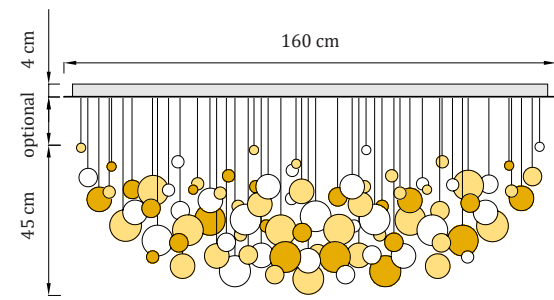
Weight: 59 kg (with a base) | 33 kg (without a base)

	Code
stainless steel	● Warm white: BURO-AMH-L-WW-S
	● Natural white: BURO-AMH-L-NW-S
	○ Cool white: BURO-AMH-L-CW-S
white matt	● Warm white: BURO-AMH-L-WW-W
	● Natural white: BURO-AMH-L-NW-W
	○ Cool white: BURO-AMH-L-CW-W
without a base	● Warm white: BURO-AMH-L-WW
	● Natural white: BURO-AMH-L-NW
	○ Cool white: BURO-AMH-L-CW

CE UKCA IP20 230V AC / 50-60 Hz

Note: Chandeliers without a metal base are suitable for plasterboard ceilings. Stainless steel cables protrude directly from the ceiling from small grips. Cannot be installed in the existing plasterboard ceiling, because it is needed to glue the counter piece to the ceiling grip from the opposite side of the plasterboard.

Bubble Elipse S



Metal base - dimensions

ground area: ellipse
160 x 80 x 4 cm
(length x width x height)

Glass bubbles

hand-blown glass
crack decor
ø 10, 8, 6, 4, 3 cm
amber | champagne | crystal
quantity: 200 pcs

Bubble Elipse S

amber | champagne | crystal

chandelier | interior
operating temperature: - 10 to 50 °C

Light source

12 x 6W LED brand CREE, 12V DC
power consumption: 72W
3000K | 4000K | 6000K
dimnable (control not included)
power supply included

Metal base - finish

polished stainless steel
white matt
without a base

Weight: 43 kg (with a base) | 26 kg (without a base)

Code

● Warm white: BUEL-AMH-S-WW-S
● Natural white: BUEL-AMH-S-NW-S
○ Cool white: BUEL-AMH-S-CW-S

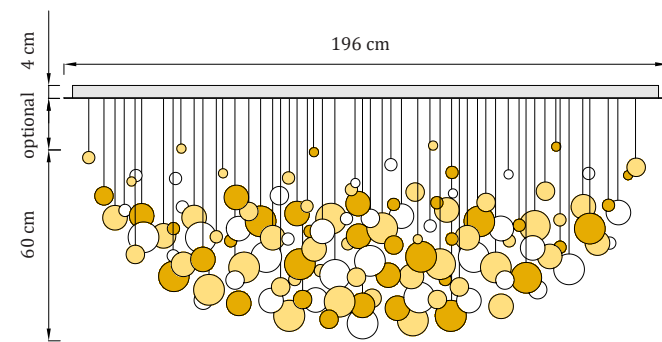
stainless steel
white matt
without a base

● Warm white: BUEL-AMH-S-WW-W
● Natural white: BUEL-AMH-S-NW-W
○ Cool white: BUEL-AMH-S-CW-W

● Warm white: BUEL-AMH-S-WW
● Natural white: BUEL-AMH-S-NW
○ Cool white: BUEL-AMH-S-CW

CE UKCA IP20 230V AC / 50-60 Hz

Bubble Elipse M



Metal base - dimensions

ground area: ellipse
196 x 96 x 4 cm
(length x width x height)

Glass bubbles

hand-blown glass
crack decor
ø 10, 8, 6, 4, 3 cm
amber | champagne | crystal
quantity: 300 pcs

Bubble Elipse M

amber | champagne | crystal

chandelier | interior
operating temperature: - 10 to 50 °C

Light source

18 x 6W LED brand CREE, 12V DC
power consumption: 108W
3000K | 4000K | 6000K
dimnable (control not included)
power supply included

Metal base - finish

polished stainless steel
white matt
without a base

Weight: 63 kg (with a base) | 38 kg (without a base)

Code

● Warm white: BUEL-AMH-M-WW-S
● Natural white: BUEL-AMH-M-NW-S
○ Cool white: BUEL-AMH-M-CW-S

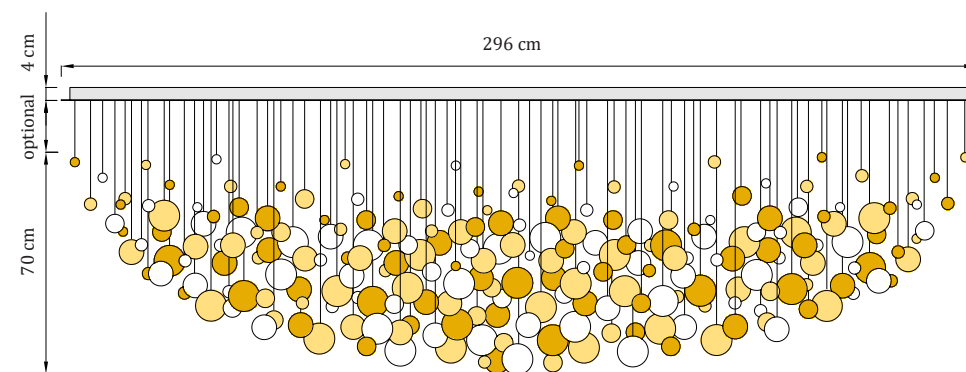
stainless steel
white matt
without a base

● Warm white: BUEL-AMH-M-WW-W
● Natural white: BUEL-AMH-M-NW-W
○ Cool white: BUEL-AMH-M-CW-W

● Warm white: BUEL-AMH-M-WW
● Natural white: BUEL-AMH-M-NW
○ Cool white: BUEL-AMH-M-CW

CE UKCA IP20 230V AC / 50-60 Hz

Bubble Elipse L



Metal base - dimensions

ground area: ellipse
296 x 146 x 4 cm
(length x width x height)

Glass bubbles

hand-blown glass
crack decor
ø 10, 8, 6, 4, 3 cm
amber | champagne | crystal
quantity: 530 pcs

Bubble Elipse L

amber | champagne | crystal

chandelier | interior
operating temperature: - 10 to 50 °C

Light source

32 x 6W LED brand CREE, 12V DC
power consumption: 192W
3000K | 4000K | 6000K
dimnable (control not included)
power supply included

Metal base - finish

polished stainless steel
white matt
without a base

Weight: 136 kg (with a base) | 80 kg (without a base)

Code

● Warm white: BUEL-AMH-L-WW-S
● Natural white: BUEL-AMH-L-NW-S
○ Cool white: BUEL-AMH-L-CW-S

stainless steel
white matt
without a base

● Warm white: BUEL-AMH-L-WW-W
● Natural white: BUEL-AMH-L-NW-W
○ Cool white: BUEL-AMH-L-CW-W

● Warm white: BUEL-AMH-L-WW
● Natural white: BUEL-AMH-L-NW
○ Cool white: BUEL-AMH-L-CW

CE UKCA IP20 230V AC / 50-60 Hz

Note: Chandeliers without a metal base are suitable for plasterboard ceilings. Stainless steel cables protrude directly from the ceiling from small grips. Cannot be installed in the existing plasterboard ceiling, because it is needed to glue the counter piece to the ceiling grip from the opposite side of the plasterboard.



Zambezi

collection of hand-blown glass chandeliers

The Zambezi collection was inspired by the wildest river in the world. The shape of the glass components resembles ripples in the roiling river, and their arrangement lends an impression of a current gushing through the air.

Zambezi collection is suitable for interiors with low ceilings, too. The components create the most striking effect when placed close to the ceiling.



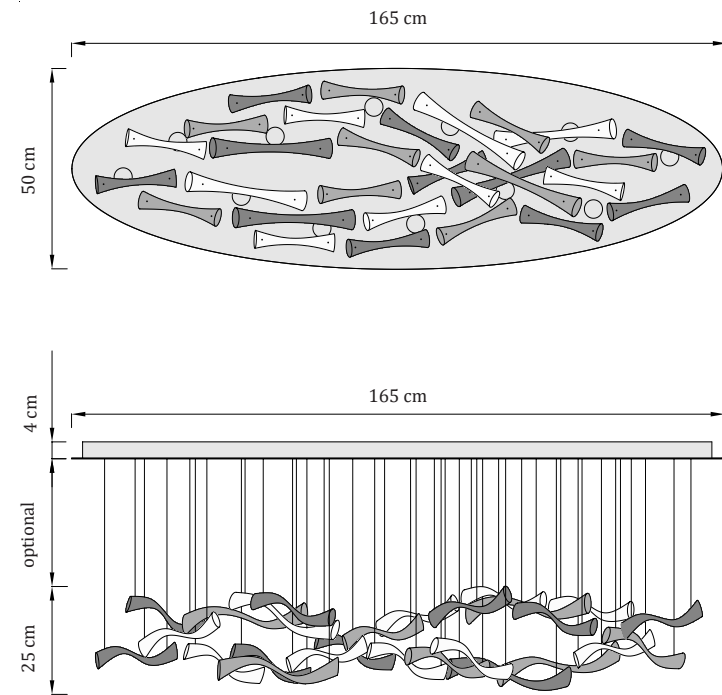
An integral part of the interior

Chandeliers are supplied either
with or without a metal base.

In the case of baseless chandeliers,
thin cables with suspended components
protrude directly from small grips
in the ceiling.

This arrangement invests the chandelier
with yet another purpose, acting as an integral
bespoke part of the entire interior.

Zambezi Elipse S

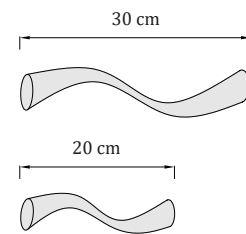


Metal base - dimensions

ground area: ellipse
165 x 50 x 4 cm
(length x width x height)

Glass components

hand-blown glass
dark gray | pale gray | crystal
quantity: 29 pcs



Zambezi Elipse S

gray | crystal

chandelier | interior
operating temperature: - 10 to 50 °C

Light source

12 x 6W LED brand CREE, 12V DC
power consumption: 72W
3000K | 4000K | 6000K
dimable (control not included)
power supply included

Metal base - finish

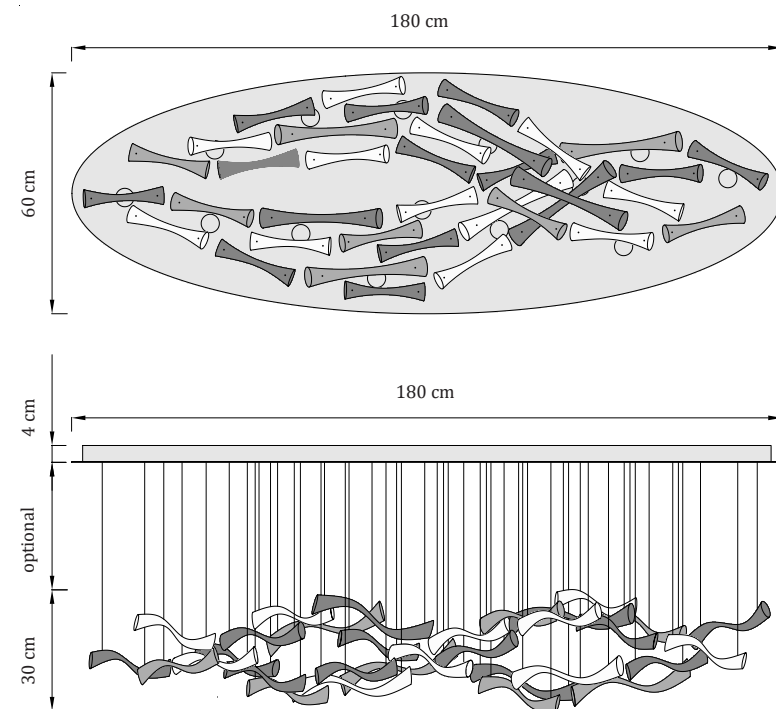
polished stainless steel
white matt
without a base

Weight: 19 kg (with a base) | 8 kg (without a base)

	Code
stainless steel	● Warm white: ZAEL-GR-S-WW-S
	● Natural white: ZAEL-GR-S-NW-S
	○ Cool white: ZAEL-GR-S-CW-S
white matt	● Warm white: ZAEL-GR-S-WW-W
	● Natural white: ZAEL-GR-S-NW-W
	○ Cool white: ZAEL-GR-S-CW-W
without a base	● Warm white: ZAEL-GR-S-WW
	● Natural white: ZAEL-GR-S-NW
	○ Cool white: ZAEL-GR-S-CW

CE UKCA IP20 230V AC / 50-60 Hz

Zambezi Elipse M

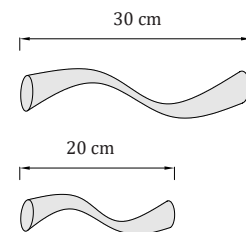


Metal base - dimensions

ground area: ellipse
180 x 60 x 4 cm
(length x width x height)

Glass components

hand-blown glass
dark gray | pale gray | crystal
quantity: 36 pcs



Zambezi Elipse M

gray | crystal

chandelier | interior
operating temperature: - 10 to 50 °C

Light source

14 x 6W LED brand CREE, 12V DC
power consumption: 84W
3000K | 4000K | 6000K
dimable (control not included)
power supply included

Metal base - finish

polished stainless steel
white matt
without a base

Weight: 24 kg (with a base) | 9 kg (without a base)

	Code
stainless steel	● Warm white: ZAEL-GR-M-WW-S
	● Natural white: ZAEL-GR-M-NW-S
	○ Cool white: ZAEL-GR-M-CW-S
white matt	● Warm white: ZAEL-GR-M-WW-W
	● Natural white: ZAEL-GR-M-NW-W
	○ Cool white: ZAEL-GR-M-CW-W
without a base	● Warm white: ZAEL-GR-M-WW
	● Natural white: ZAEL-GR-M-NW
	○ Cool white: ZAEL-GR-M-CW

CE UKCA IP20 230V AC / 50-60 Hz

Note: Chandeliers without a metal base are suitable for plasterboard ceilings. Stainless steel cables protrude directly from the ceiling from small grips. Cannot be installed in the existing plasterboard ceiling, because it is needed to glue the counter piece to the ceiling grip from the opposite side of the plasterboard.



Fallen

collection of hand-blown
glass chandeliers

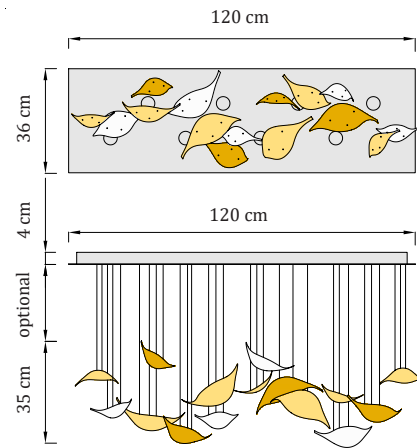
The Fallen collection was inspired by the autumn season, when the world is a tapestry of colour and the autumn leaves fly in the wind.

The collection captures the moment of this beautiful dance, which you can watch in the comfort of your home. Each single leaf is an original and precise glass art piece.





Fallen Rectangle S

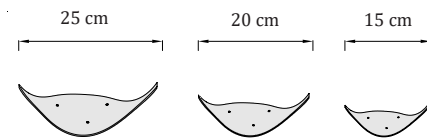


Metal base - dimensions

ground area: rectangle
120 x 36 x 4 cm (length x width x height)

Glass leaves

hand-blown glass
mica applied in leaves
amber | champagne | crystal
quantity: 15 pcs



Fallen Rectangle S

amber | champagne | crystal

chandelier | interior
operating temperature: - 10 to 50 °C

Light source

8 x 6W LED brand CREE, 12V DC
power consumption: 48W
3000K | 4000K | 6000K
dimmable (control not included)
power supply included

Metal base - finish

polished stainless steel
white matt
without a base

Weight: 12 kg (with a base) | 4 kg (without a base)

Code

● Warm white: FARE-AM-S-WW-S
● Natural white: FARE-AM-S-NW-S
○ Cool white: FARE-AM-S-CW-S

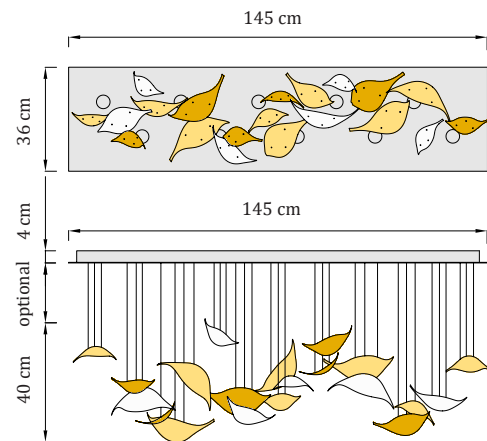
stainless steel
white matt
without a base

● Warm white: FARE-AM-S-WW-W
● Natural white: FARE-AM-S-NW-W
○ Cool white: FARE-AM-S-CW-W

● Warm white: FARE-AM-S-WW
● Natural white: FARE-AM-S-NW
○ Cool white: FARE-AM-S-CW

CE UKCA IP20 230V AC / 50-60 Hz

Fallen Rectangle M

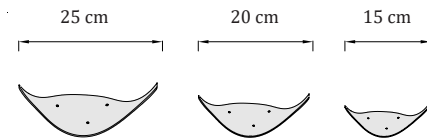


Metal base - dimensions

ground area: rectangle
145 x 36 x 4 cm (length x width x height)

Glass leaves

hand-blown glass
mica applied in leaves
amber | champagne | crystal
quantity: 20 pcs



Fallen Rectangle M

amber | champagne | crystal

chandelier | interior
operating temperature: - 10 to 50 °C

Light source

10 x 6W LED brand CREE, 12V DC
power consumption: 60W
3000K | 4000K | 6000K
dimmable (control not included)
power supply included

Metal base - finish

polished stainless steel
white matt
without a base

Weight: 15 kg (with a base) | 5 kg (without a base)

Code

● Warm white: FARE-AM-M-WW-S
● Natural white: FARE-AM-M-NW-S
○ Cool white: FARE-AM-M-CW-S

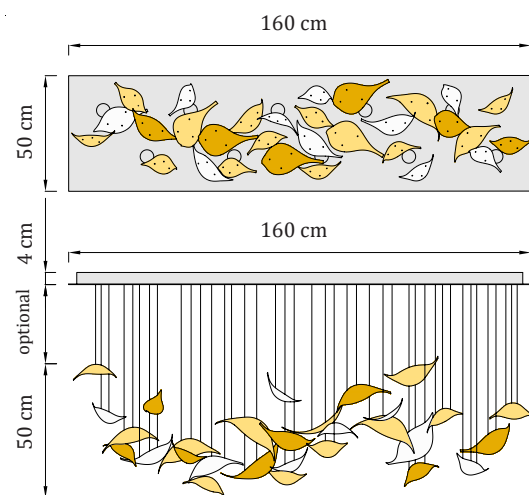
stainless steel
white matt
without a base

● Warm white: FARE-AM-M-WW-W
● Natural white: FARE-AM-M-NW-W
○ Cool white: FARE-AM-M-CW-W

● Warm white: FARE-AM-M-WW
● Natural white: FARE-AM-M-NW
○ Cool white: FARE-AM-M-CW

CE UKCA IP20 230V AC / 50-60 Hz

Fallen Rectangle L

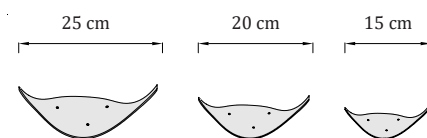


Metal base - dimensions

ground area: rectangle
160 x 50 x 4 cm (length x width x height)

Glass leaves

hand-blown glass
mica applied in leaves
amber | champagne | crystal
quantity: 30 pcs



Fallen Rectangle L

amber | champagne | crystal

chandelier | interior
operating temperature: - 10 to 50 °C

Light source

10 x 6W LED brand CREE, 12V DC
power consumption: 60W
3000K | 4000K | 6000K
dimmable (control not included)
power supply included

Metal base - finish

polished stainless steel
white matt
without a base

Weight: 19 kg (with a base) | 7 kg (without a base)

Code

● Warm white: FARE-AM-L-WW-S
● Natural white: FARE-AM-L-NW-S
○ Cool white: FARE-AM-L-CW-S

stainless steel
white matt
without a base

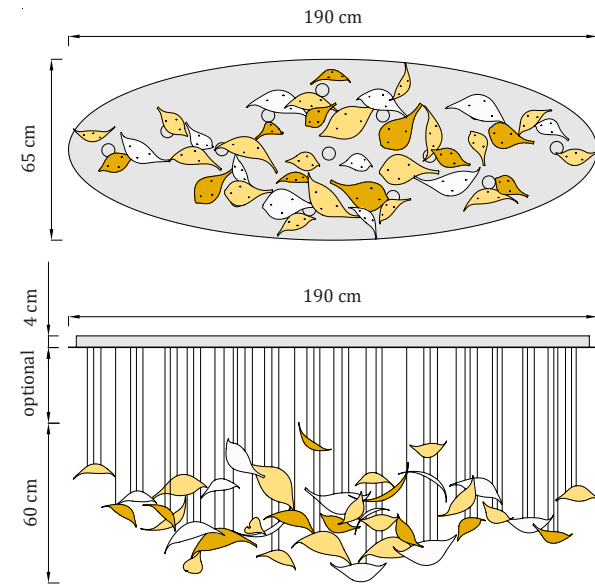
● Warm white: FARE-AM-L-WW-W
● Natural white: FARE-AM-L-NW-W
○ Cool white: FARE-AM-L-CW-W

● Warm white: FARE-AM-L-WW
● Natural white: FARE-AM-L-NW
○ Cool white: FARE-AM-L-CW

CE UKCA IP20 230V AC / 50-60 Hz

Note: Chandeliers without a metal base are suitable for plasterboard ceilings. Stainless steel cables protrude directly from the ceiling from small grips. Cannot be installed in the existing plasterboard ceiling, because it is needed to glue the counter piece to the ceiling grip from the opposite side of the plasterboard.

Fallen Elipse XL

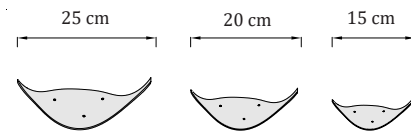


Metal base - dimensions

ground area: ellipse
190 x 65 x 4 cm (length x width x height)

Glass leaves

hand-blown glass
mica applied in leaves
amber | champagne | crystal
quantity: 40 pcs



Fallen Elipse XL

amber | champagne | crystal

chandelier | interior
operating temperature: - 10 to 50 °C

Light source

14 x 6W LED brand CREE, 12V DC
power consumption: 84W
3000K | 4000K | 6000K
dimnable (control not included)
power supply included

Metal base - finish

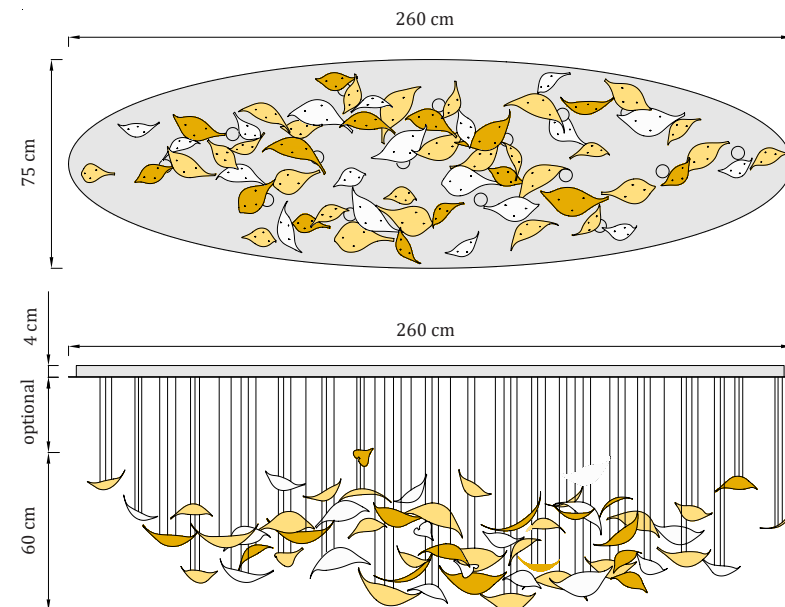
polished stainless steel
white matt
without a base

Weight: 26 kg (with a base) | 9 kg (without a base)

	Code
stainless steel	● Warm white: FAEL-AM-XL-WW-S
	● Natural white: FAEL-AM-XL-NW-S
	○ Cool white: FAEL-AM-XL-CW-S
white matt	● Warm white: FAEL-AM-XL-WW-W
	● Natural white: FAEL-AM-XL-NW-W
	○ Cool white: FAEL-AM-XL-CW-W
without a base	● Warm white: FAEL-AM-XL-WW
	● Natural white: FAEL-AM-XL-NW
	○ Cool white: FAEL-AM-XL-CW

CE UKCA IP20 230V AC / 50-60 Hz

Fallen Elipse XXL

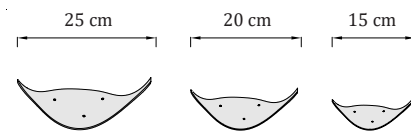


Metal base - dimensions

ground area: ellipse
260 x 75 x 4 cm (length x width x height)

Glass leaves

hand-blown glass
mica applied in leaves
amber | champagne | crystal
quantity: 62 pcs



Fallen Elipse XXL

amber | champagne | crystal

chandelier | interior
operating temperature: - 10 to 50 °C

Light source

17 x 6W LED brand CREE, 12V DC
power consumption: 102W
3000K | 4000K | 6000K
dimnable (control not included)
power supply included

Metal base - finish

polished stainless steel
white matt
without a base

Weight: 39 kg (with a base) | 12 kg (without a base)

	Code
stainless steel	● Warm white: FAEL-AM-XXL-WW-S
	● Natural white: FAEL-AM-XXL-NW-S
	○ Cool white: FAEL-AM-XXL-CW-S
white matt	● Warm white: FAEL-AM-XXL-WW-W
	● Natural white: FAEL-AM-XXL-NW-W
	○ Cool white: FAEL-AM-XXL-CW-W
without a base	● Warm white: FAEL-AM-XXL-WW
	● Natural white: FAEL-AM-XXL-NW
	○ Cool white: FAEL-AM-XXL-CW

CE UKCA IP20 230V AC / 50-60 Hz

Note: Chandeliers without a metal base are suitable for plasterboard ceilings. Stainless steel cables protrude directly from the ceiling from small grips. Cannot be installed in the existing plasterboard ceiling, because it is needed to glue the counter piece to the ceiling grip from the opposite side of the plasterboard.

Waterlily





Waterlily

collection of hand-blown
glass chandeliers

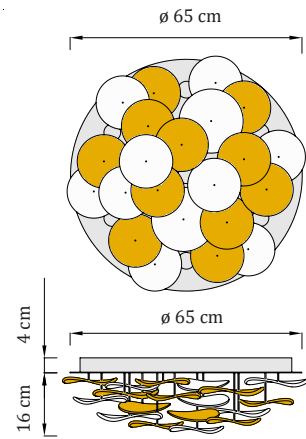
The Waterlily collection was specially designed
for interiors with low ceilings.

The glass components measure only up to
a length of 20-30 cm from the ceiling.

The collection was inspired by lake waterlilies,
typical with their large, flat, round leaves that
float on the water's surface.



Waterlily Round S



Metal base - dimensions

ground area: round
 ø 65 cm, height 4 cm

Glass components

hand-blown glass
 ø 18 cm, ø 15 cm
 amber | opal | crystal
 quantity: 25 pcs

Waterlily Round S

amber | opal | crystal

chandelier | interior
 operating temperature: - 10 to 50 °C

Light source

7 x 6W LED brand CREE, 12V DC
 power consumption: 42W
 3000K | 4000K | 6000K
 dimmable (control not included)
 power supply included

Metal base - finish

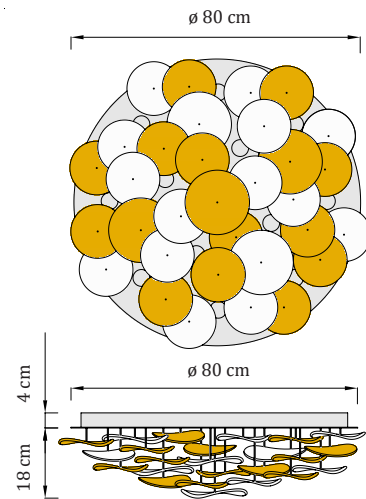
polished stainless steel
 white matt
 without a base

Weight: 15 kg (with a base) | 9 kg (without a base)

	Code
stainless steel	● Warm white: WARO-AM-S-WW-S
	● Natural white: WARO-AM-S-NW-S
	○ Cool white: WARO-AM-S-CW-S
white matt	● Warm white: WARO-AM-S-WW-W
	● Natural white: WARO-AM-S-NW-W
	○ Cool white: WARO-AM-S-CW-W
without a base	● Warm white: WARO-AM-S-WW
	● Natural white: WARO-AM-S-NW
	○ Cool white: WARO-AM-S-CW

CE UKCA IP20 230V AC / 50-60 Hz

Waterlily Round M



Metal base - dimensions

ground area: round
 ø 80 cm, height 4 cm

Glass components

hand-blown glass
 ø 18 cm, ø 15 cm
 amber | opal | crystal
 quantity: 37 pcs

Waterlily Round M

amber | opal | crystal

chandelier | interior
 operating temperature: - 10 to 50 °C

Light source

12 x 6W LED brand CREE, 12V DC
 power consumption: 72W
 3000K | 4000K | 6000K
 dimmable (control not included)
 power supply included

Metal base - finish

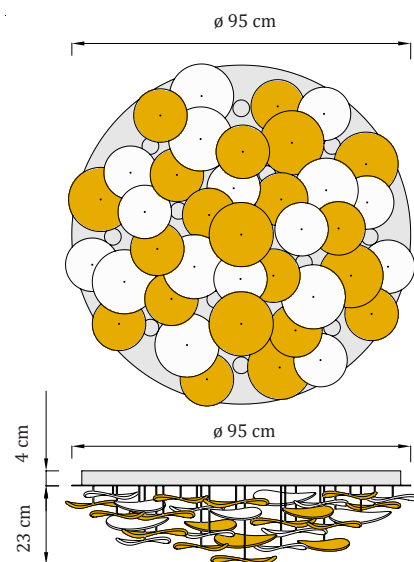
polished stainless steel
 white matt
 without a base

Weight: 23 kg (with a base) | 14 kg (without a base)

	Code
stainless steel	● Warm white: WARO-AM-M-WW-S
	● Natural white: WARO-AM-M-NW-S
	○ Cool white: WARO-AM-M-CW-S
white matt	● Warm white: WARO-AM-M-WW-W
	● Natural white: WARO-AM-M-NW-W
	○ Cool white: WARO-AM-M-CW-W
without a base	● Warm white: WARO-AM-M-WW
	● Natural white: WARO-AM-M-NW
	○ Cool white: WARO-AM-M-CW

CE UKCA IP20 230V AC / 50-60 Hz

Waterlily Round L



Metal base - dimensions

ground area: round
 ø 95 cm, height 4 cm

Glass components

hand-blown glass
 ø 18 cm, ø 15 cm
 amber | opal | crystal
 quantity: 45 pcs

Waterlily Round L

amber | opal | crystal

chandelier | interior
 operating temperature: - 10 to 50 °C

Light source

12 x 6W LED brand CREE, 12V DC
 power consumption: 72W
 3000K | 4000K | 6000K
 dimmable (control not included)
 power supply included

Metal base - finish

polished stainless steel
 white matt
 without a base

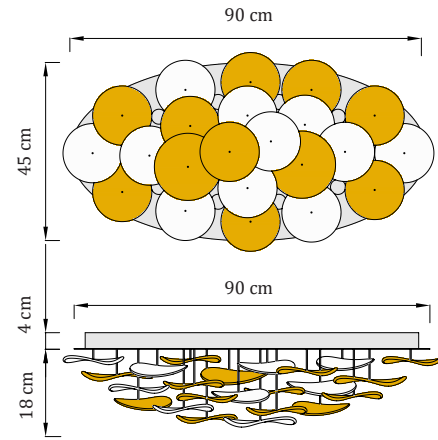
Weight: 29 kg (with a base) | 17 kg (without a base)

	Code
stainless steel	● Warm white: WARO-AM-L-WW-S
	● Natural white: WARO-AM-L-NW-S
	○ Cool white: WARO-AM-L-CW-S
white matt	● Warm white: WARO-AM-L-WW-W
	● Natural white: WARO-AM-L-NW-W
	○ Cool white: WARO-AM-L-CW-W
without a base	● Warm white: WARO-AM-L-WW
	● Natural white: WARO-AM-L-NW
	○ Cool white: WARO-AM-L-CW

CE UKCA IP20 230V AC / 50-60 Hz

Note: Chandeliers without a metal base are suitable for plasterboard ceilings. Stainless steel cables protrude directly from the ceiling from small grips. Cannot be installed in the existing plasterboard ceiling, because it is needed to glue the counter piece to the ceiling grip from the opposite side of the plasterboard.

Waterlily Elipse S



Metal base - dimensions

ground area: ellipse
90 x 45 x 4 cm (length x width x height)

Glass components

hand-blown glass
ø 18 cm, ø 15 cm
amber | opal | crystal
quantity: 26 pcs

Waterlily Elipse S

amber | opal | crystal

chandelier | interior
operating temperature: - 10 to 50 °C

Light source

10 x 6W LED brand CREE, 12V DC
power consumption: 60W
3000K | 4000K | 6000K
dimmable (control not included)
power supply included

Metal base - finish

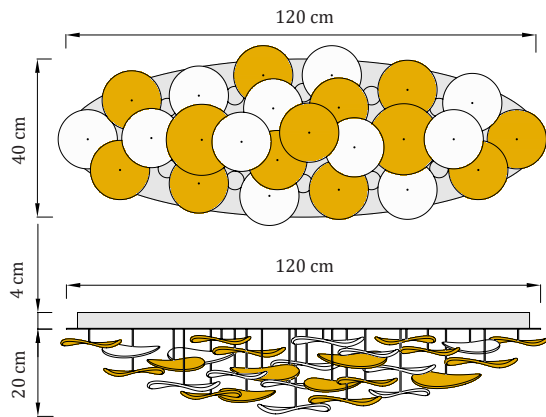
polished stainless steel
white matt
without a base

Weight: 16 kg (with a base) | 10 kg (without a base)

	Code
stainless steel	● Warm white: WAEL-AM-S-WW-S
	● Natural white: WAEL-AM-S-NW-S
	○ Cool white: WAEL-AM-S-CW-S
white matt	● Warm white: WAEL-AM-S-WW-W
	● Natural white: WAEL-AM-S-NW-W
	○ Cool white: WAEL-AM-S-CW-W
without a base	● Warm white: WAEL-AM-S-WW
	● Natural white: WAEL-AM-S-NW
	○ Cool white: WAEL-AM-S-CW

CE UKCA IP20 230V AC / 50-60 Hz

Waterlily Elipse M



Metal base - dimensions

ground area: ellipse
120 x 40 x 4 cm (length x width x height)

Glass components

hand-blown glass
ø 18 cm, ø 15 cm
amber | opal | crystal
quantity: 34 pcs

Waterlily Elipse M

amber | opal | crystal

chandelier | interior
operating temperature: - 10 to 50 °C

Light source

12 x 6W LED brand CREE, 12V DC
power consumption: 72W
3000K | 4000K | 6000K
dimmable (control not included)
power supply included

Metal base - finish

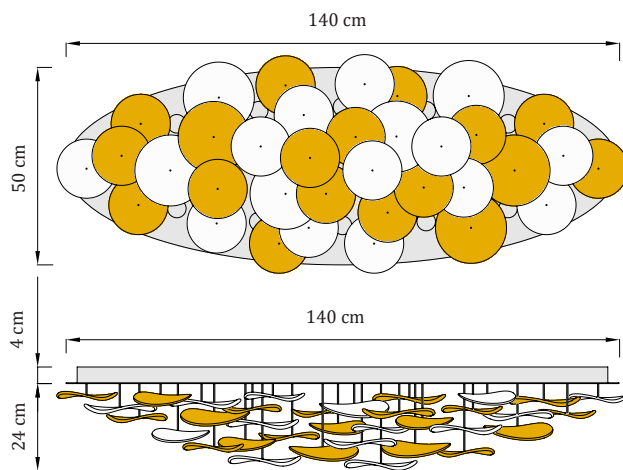
polished stainless steel
white matt
without a base

Weight: 20 kg (with a base) | 13 kg (without a base)

	Code
stainless steel	● Warm white: WAEL-AM-M-WW-S
	● Natural white: WAEL-AM-M-NW-S
	○ Cool white: WAEL-AM-M-CW-S
white matt	● Warm white: WAEL-AM-M-WW-W
	● Natural white: WAEL-AM-M-NW-W
	○ Cool white: WAEL-AM-M-CW-W
without a base	● Warm white: WAEL-AM-M-WW
	● Natural white: WAEL-AM-M-NW
	○ Cool white: WAEL-AM-M-CW

CE UKCA IP20 230V AC / 50-60 Hz

Waterlily Elipse L



Metal base

ground area: ellipse
140 x 50 x 4 cm (length x width x height)

Glass components

hand-blown glass
ø 18 cm, ø 15 cm
amber | opal | crystal
quantity: 41 pcs

Waterlily Elipse L

amber | opal | crystal

chandelier | interior
operating temperature: - 10 to 50 °C

Light source

12 x 6W LED brand CREE, 12V DC
power consumption: 72W
3000K | 4000K | 6000K
dimmable (control not included)
power supply included

Metal base - finish

polished stainless steel
white matt
without a base

Weight: 25 kg (with a base) | 15 kg (without a base)

	Code
stainless steel	● Warm white: WAEL-AM-L-WW-S
	● Natural white: WAEL-AM-L-NW-S
	○ Cool white: WAEL-AM-L-CW-S
white matt	● Warm white: WAEL-AM-L-WW-W
	● Natural white: WAEL-AM-L-NW-W
	○ Cool white: WAEL-AM-L-CW-W
without a base	● Warm white: WAEL-AM-L-WW
	● Natural white: WAEL-AM-L-NW
	○ Cool white: WAEL-AM-L-CW

CE UKCA IP20 230V AC / 50-60 Hz

Note: Chandeliers without a metal base are suitable for plasterboard ceilings. Stainless steel cables protrude directly from the ceiling from small grips. Cannot be installed in the existing plasterboard ceiling, because it is needed to glue the counter piece to the ceiling grip from the opposite side of the plasterboard.



LIDES s.r.o.
no. 1907, 951 32 Horna Kralova
Slovakia

www.lides.com
lides@lides.sk

